

N

**End-Suction Centrifugal Pumps
standardized EN 733**

n = 1450 1/min

n = 2900 1/min



 **calpeda[®]**

CE



Construction

Single-stage end-suction centrifugal pumps, with bearing bracket.

Nominal duty points and main dimensions in accordance with EN 733.

Back Pull-Out construction, for simple and quick dismantling and reassembly.

Rated speed of rotation (50 Hz) : **N** = 2900 1/min.
N4 = 1450 1/min.

Connections: PN 16 flanges EN 1092-2.

Max.working pressure 10 (16) bar

Shaft sealing

- Standardized mechanical seal in accordance with ISO 3069.
- Stuffing box seal or different mechanical seals (on request).

Applications

- For clean liquids, without abrasives, which are non-aggressive for the pump materials (contents of solids up to 0.2%).
- For water supply.
- For heating, air conditioning, cooling and circulation plants.
- For civil and industrial applications and for agriculture.
- For fire fighting applications.
- For irrigation.

Operating conditions

Liquid temperature from -10°C to +120°C. (standard mechanical seal)

Ambient temperature up to 40°C.

Total suction lift up to 7 m.

Maximum permissible working pressure up to 10/16 bar.

Pump-Motor unit

N, N4 pump connected to a standard electric motor in B3 construction form (IEC 72), IP 54 protection, three-phase 400 V, 50 Hz by means of a baseplate, driven by a flexible coupling and with coupling protection.

Special features on request

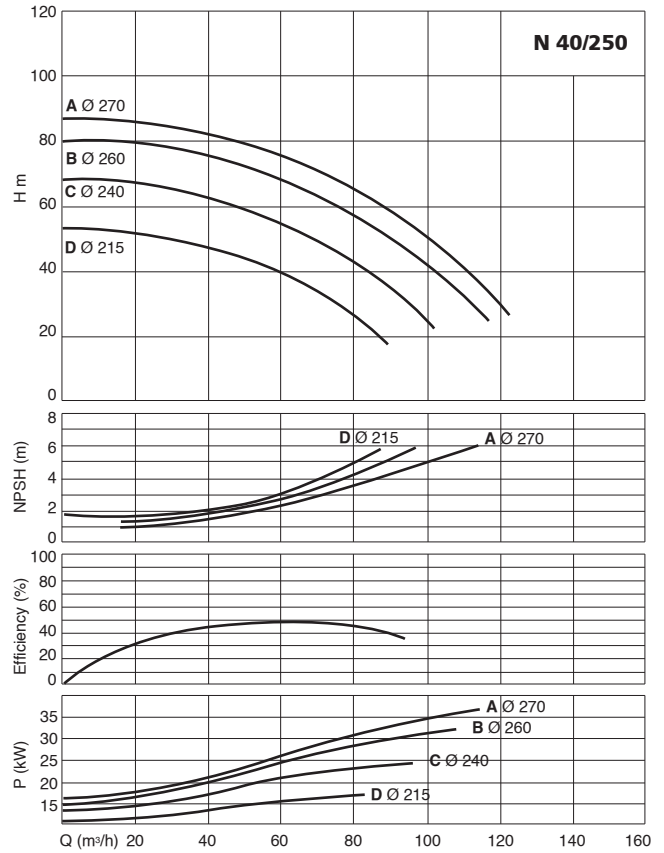
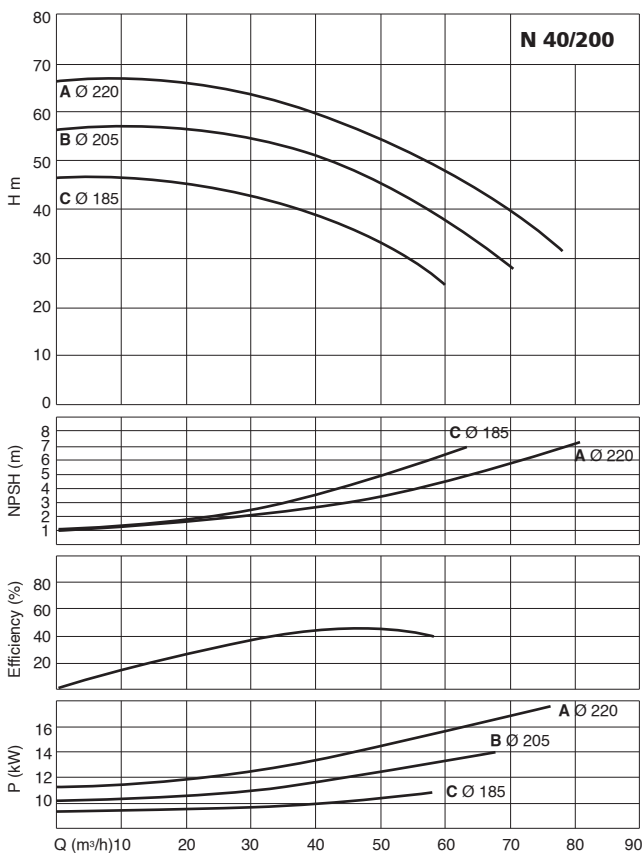
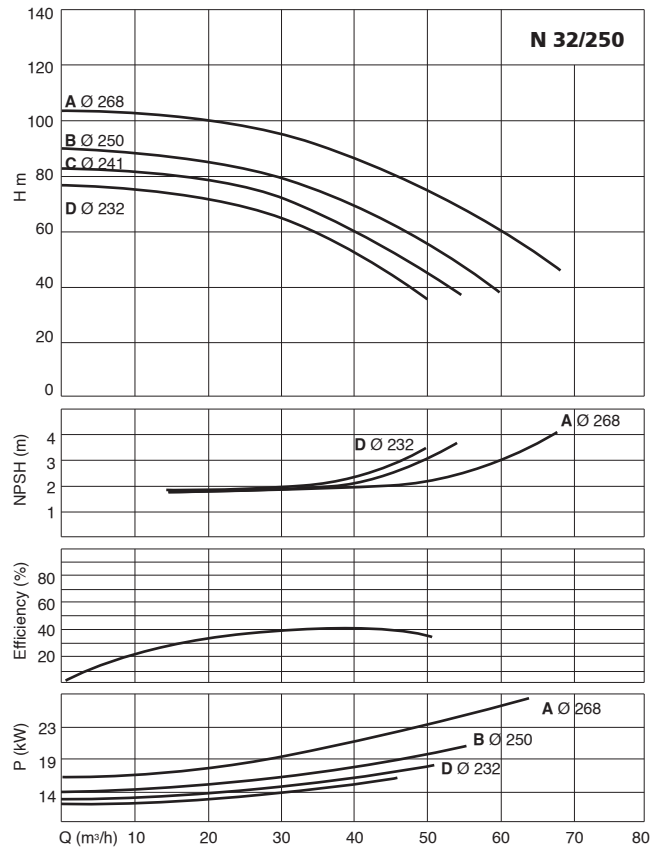
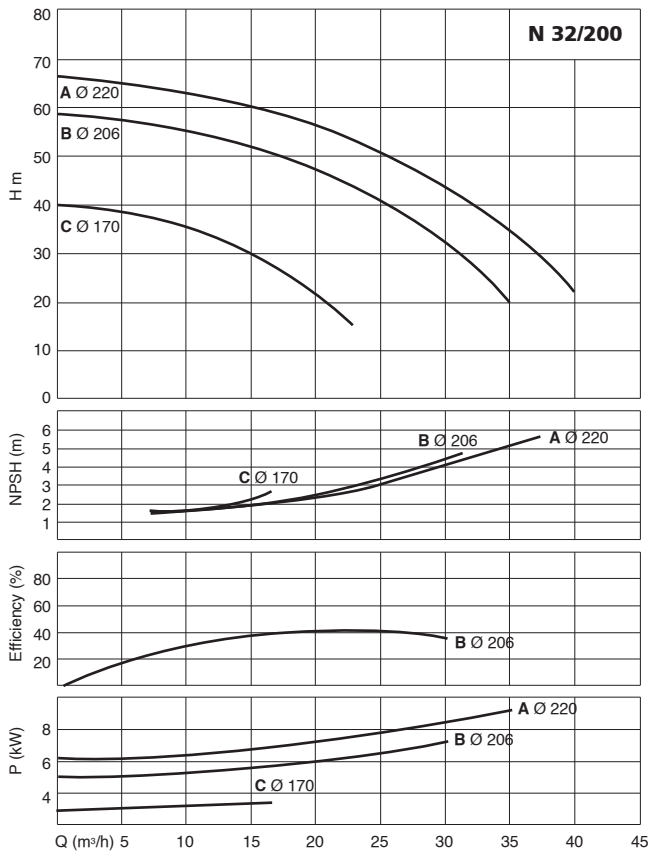
- Extra support foot for bearing housing.
- Special mechanical seal.
- Different construction materials for specific applications.
- Higher or lower liquid or ambient temperatures.
- Other motor protection.
- Explosion proof motor.
- Motor for other voltage.
- Frequency 60 Hz (as per 60 Hz data sheet).

Materials

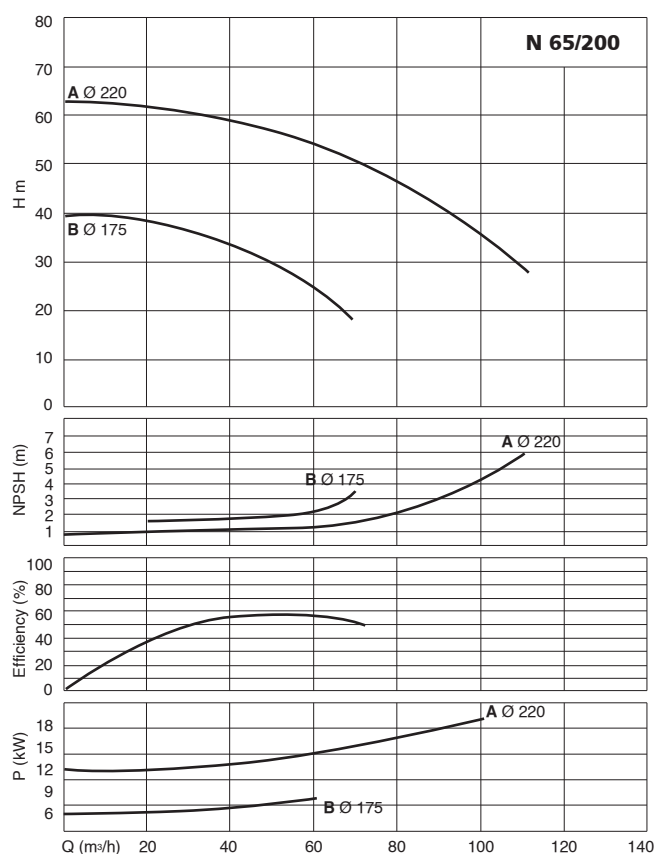
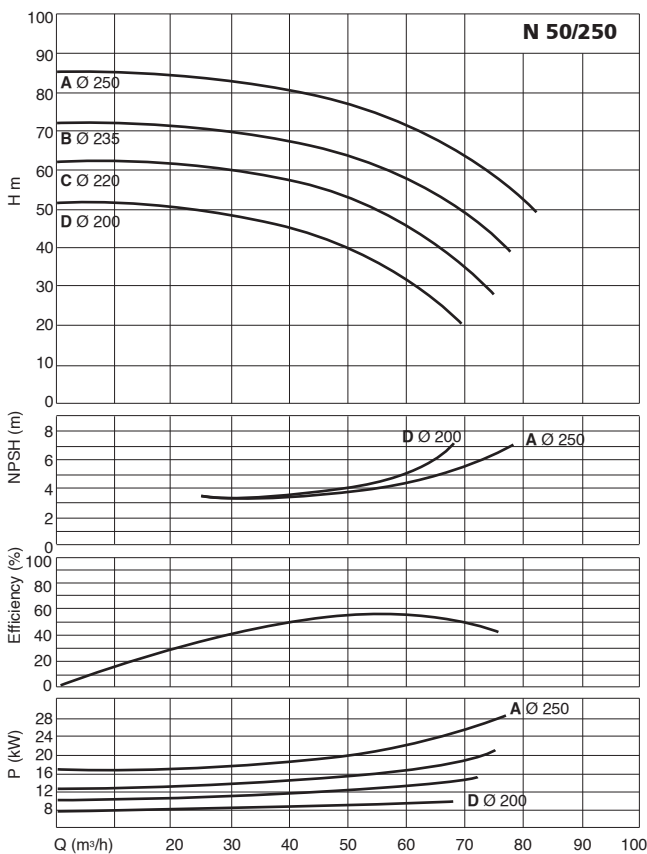
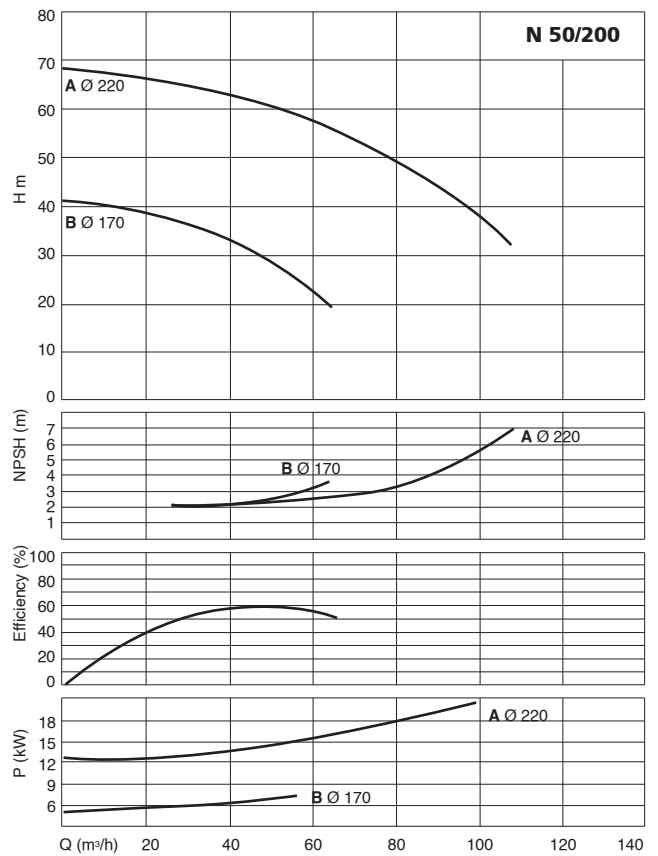
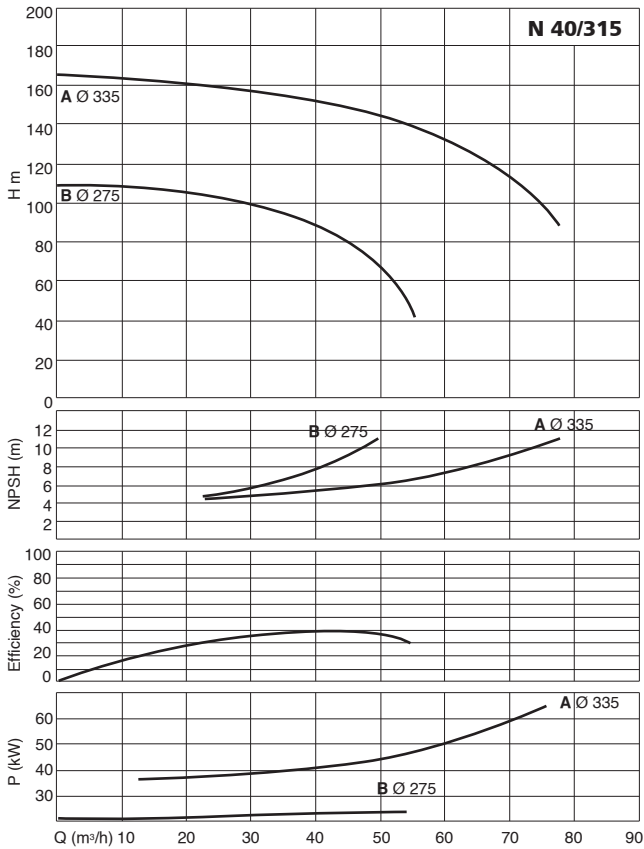
Pump casing	GG 25
Lantern bracket	(Optional GGG 40 / AISI 304 /
Impeller	AISI 316 / Bronze)
Pump shaft	AISI 420 (Optional AISI 304 / AISI 316)
Mechanical seal	Silicon Carbide / Carbon Graphite*
Baseplate	DIN 17100 - St 37, epoxy coated
Coupling guard	EN 294 / DIN 31001, epoxy coated

* Different mechanical seals are available upon request.

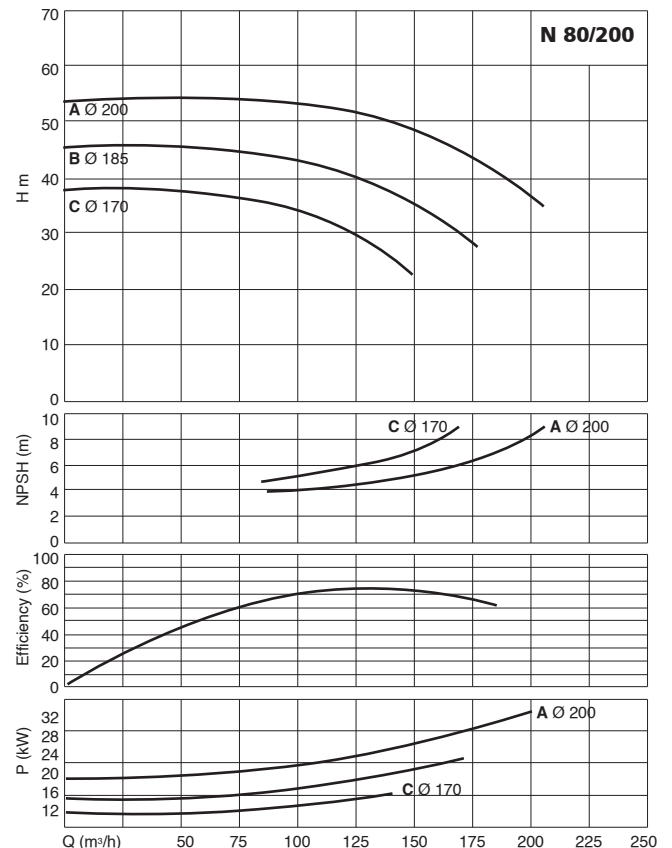
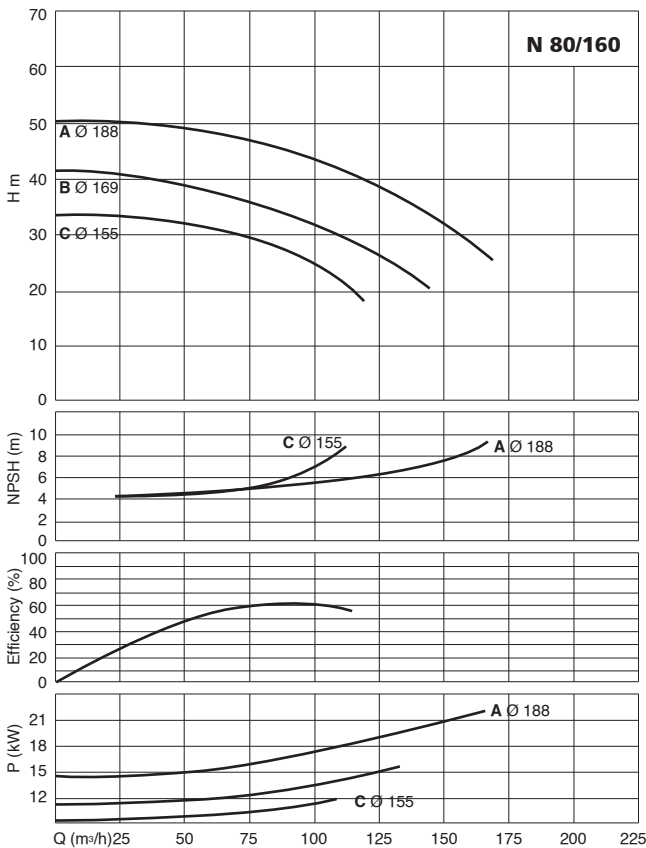
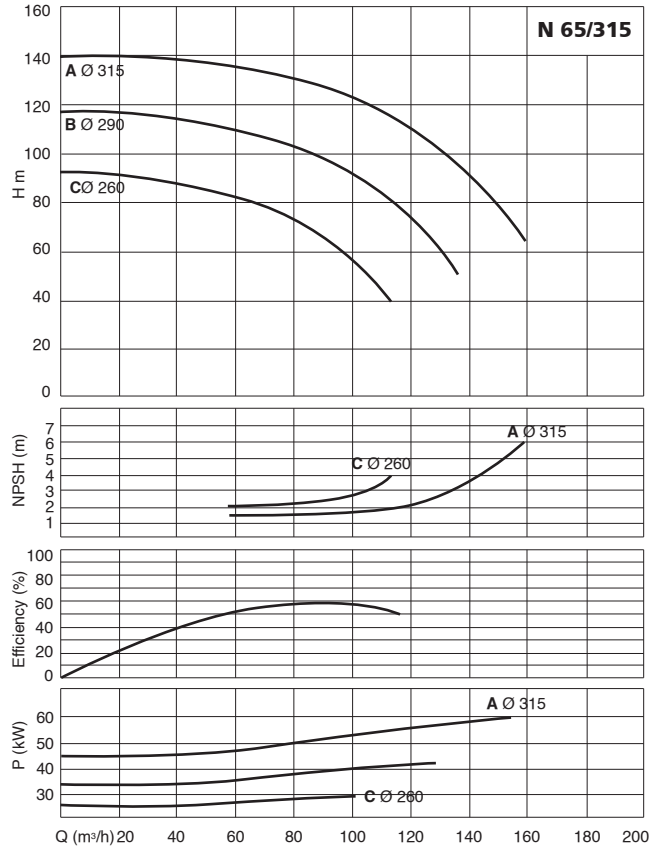
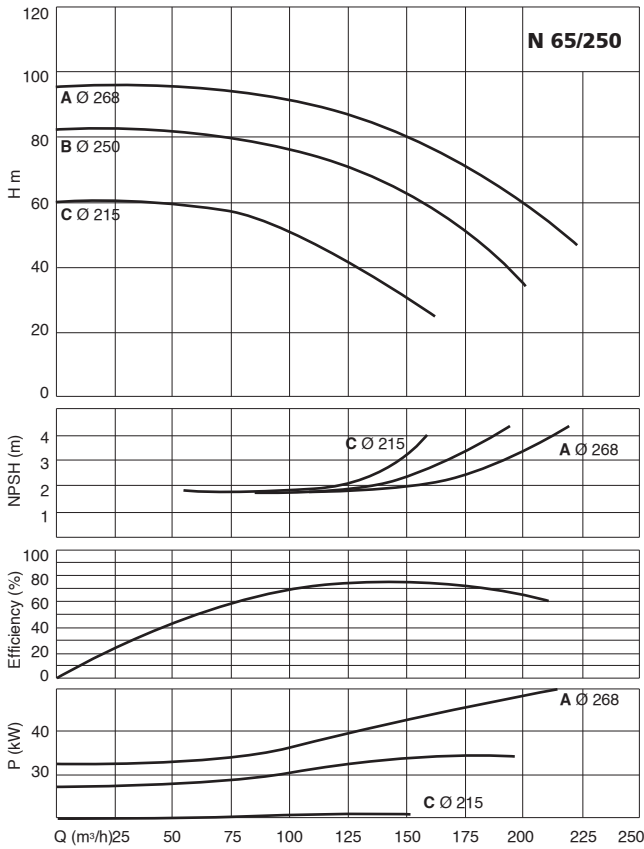
Characteristic curves n = 2900 1/min



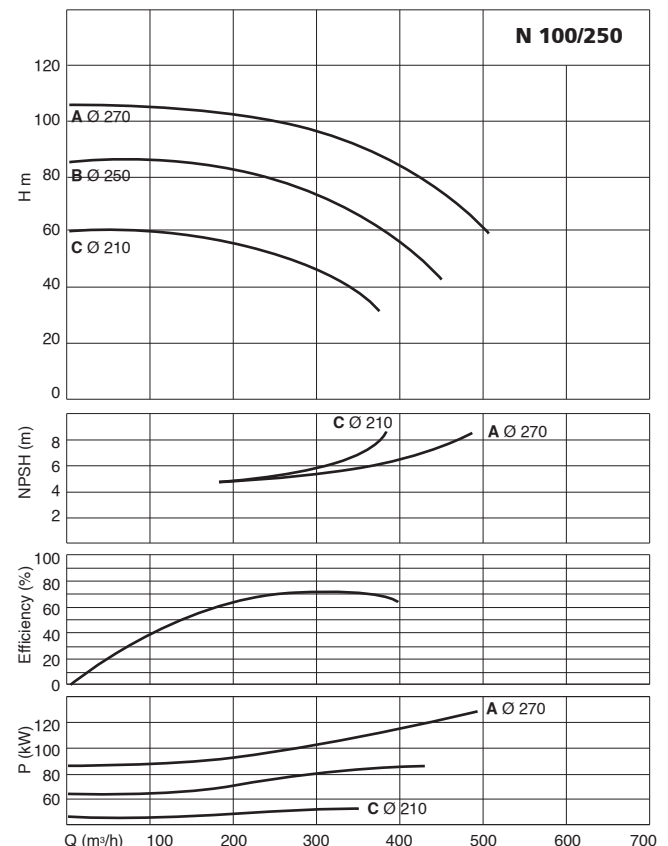
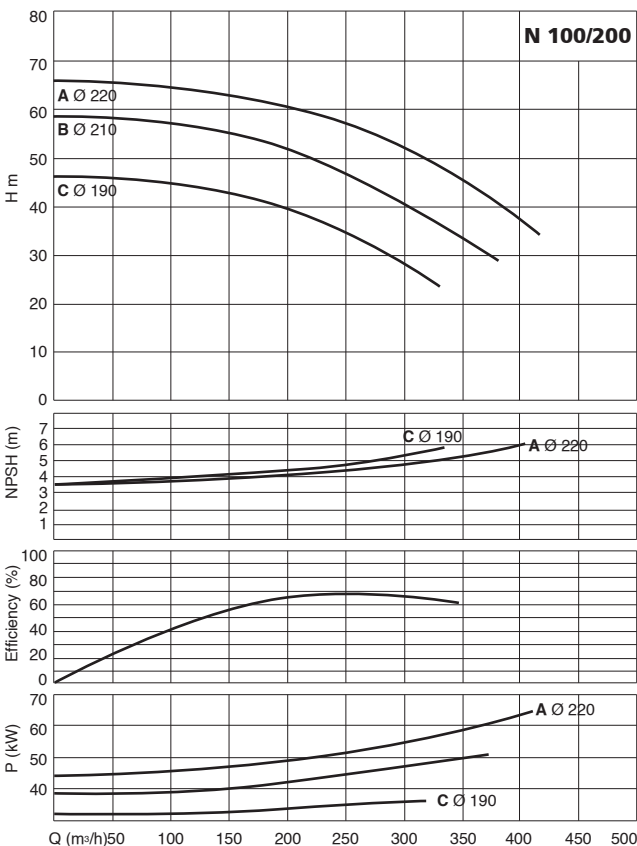
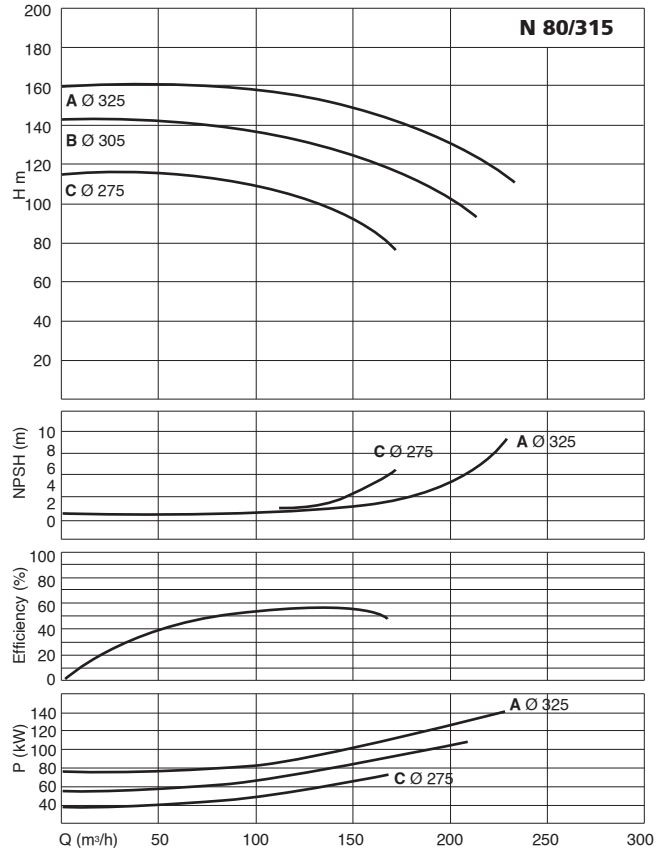
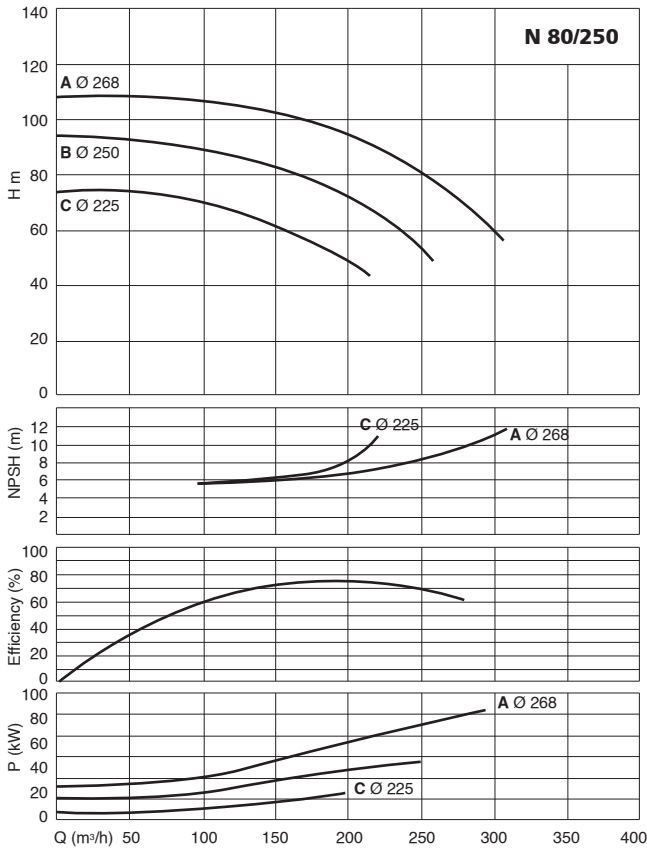
Characteristic curves n = 2900 1/min



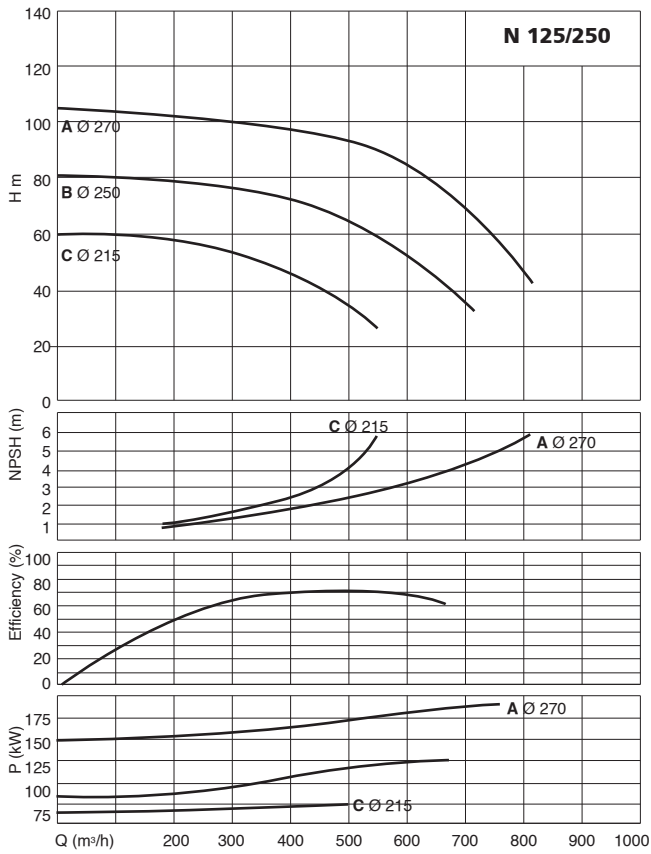
Characteristic curves n = 2900 1/min



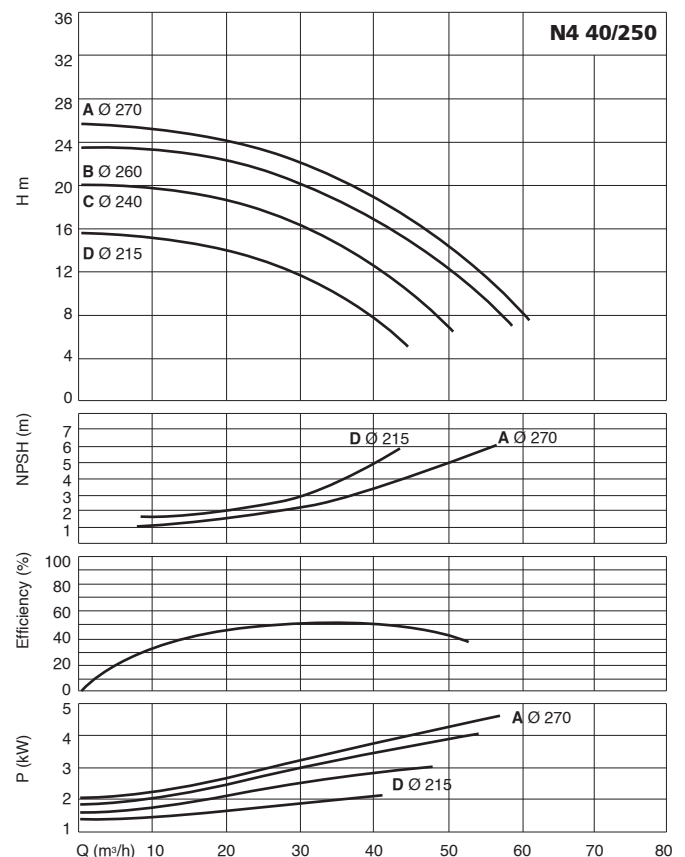
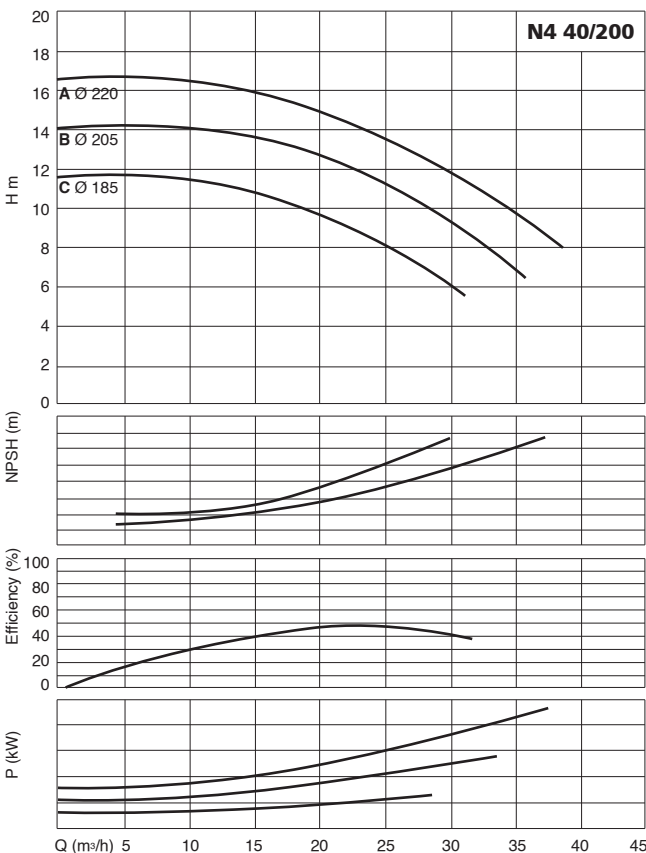
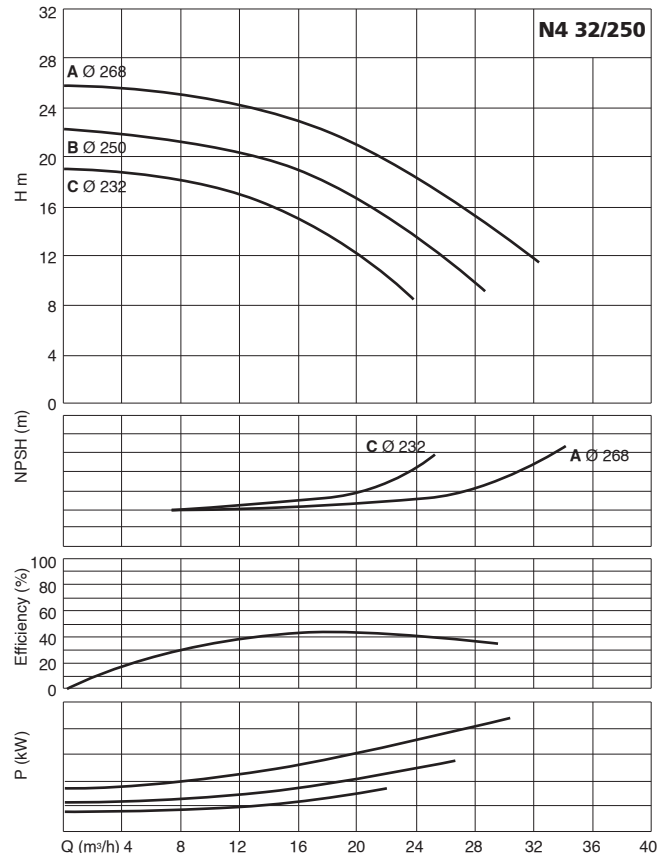
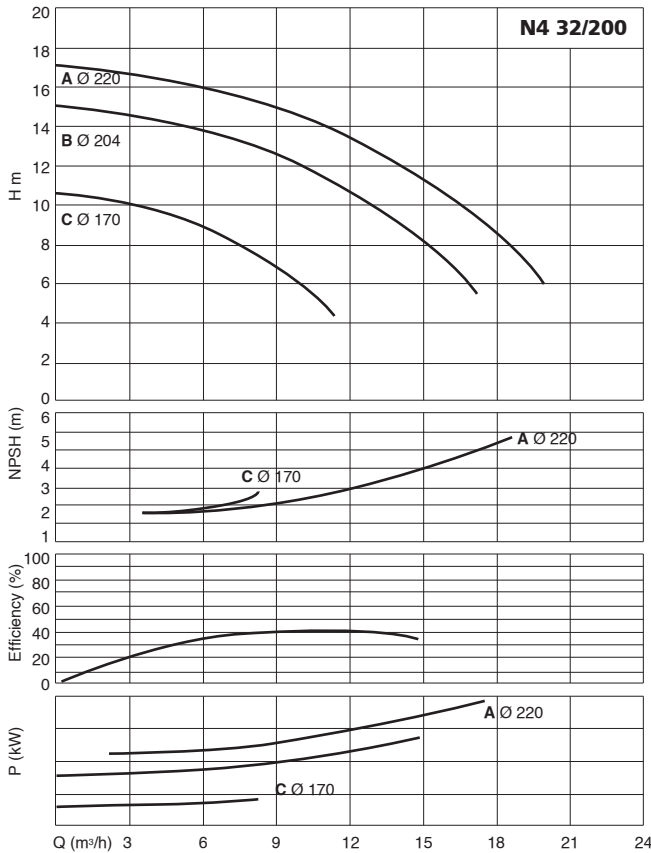
Characteristic curves n = 2900 1/min



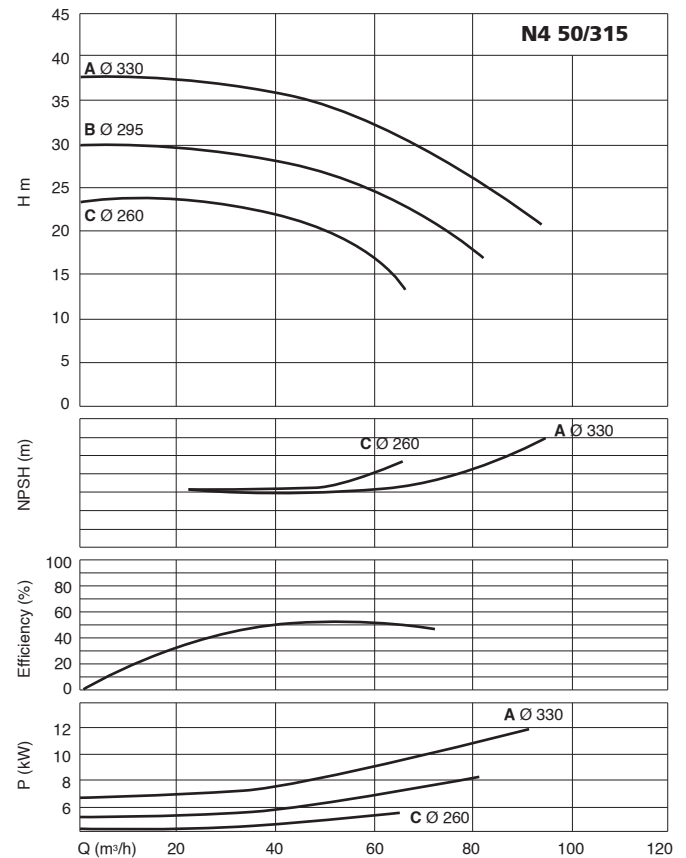
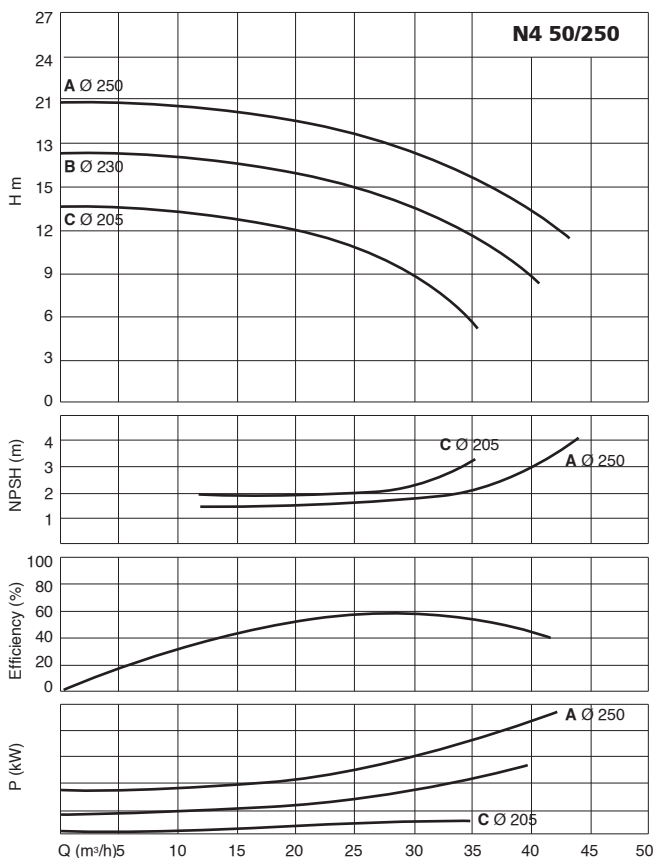
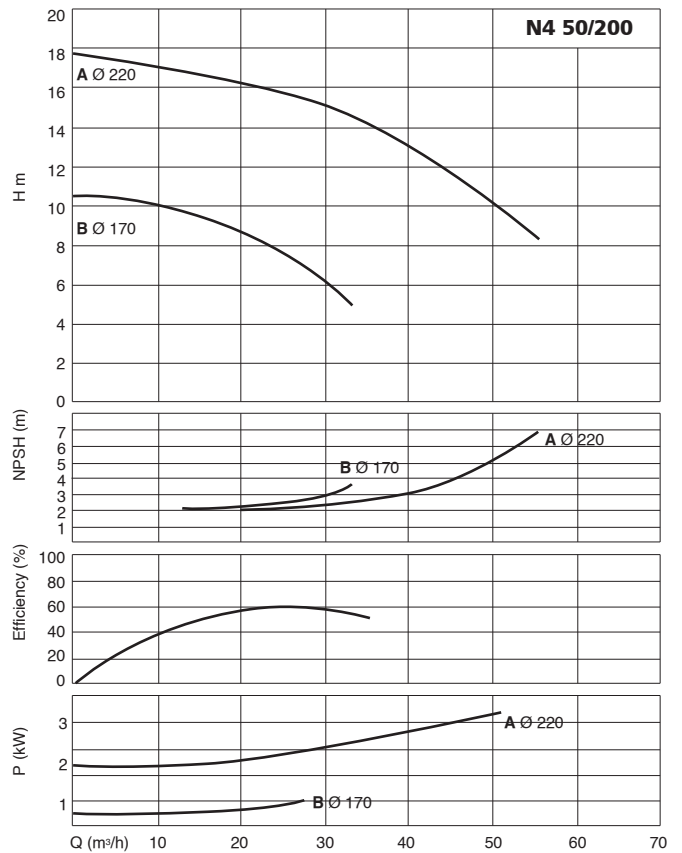
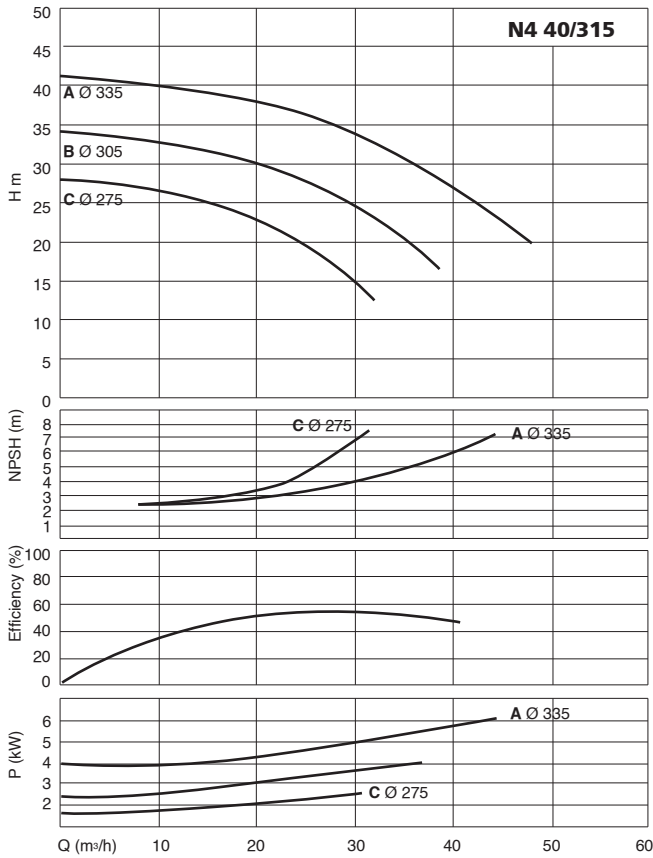
Characteristic curves n = 2900 1/min



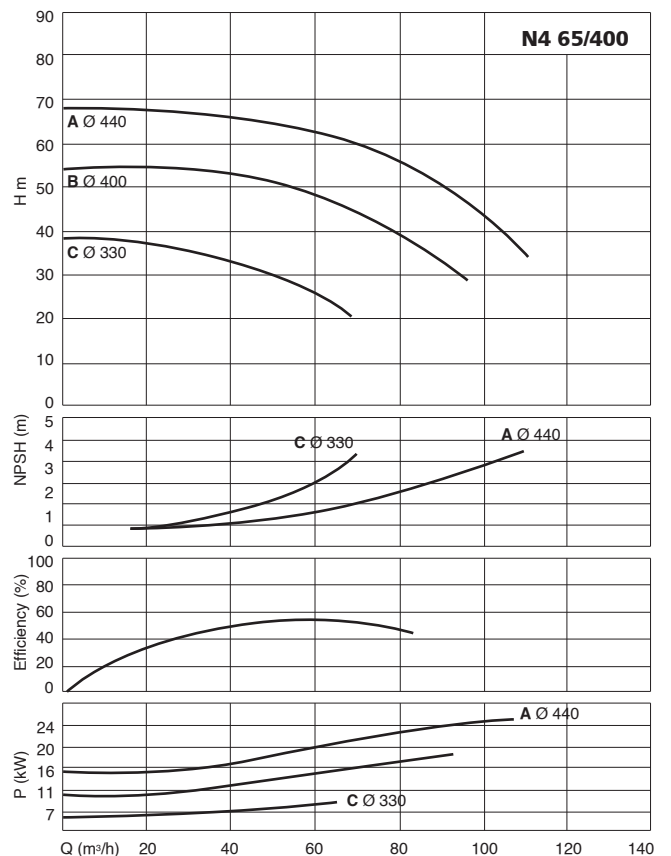
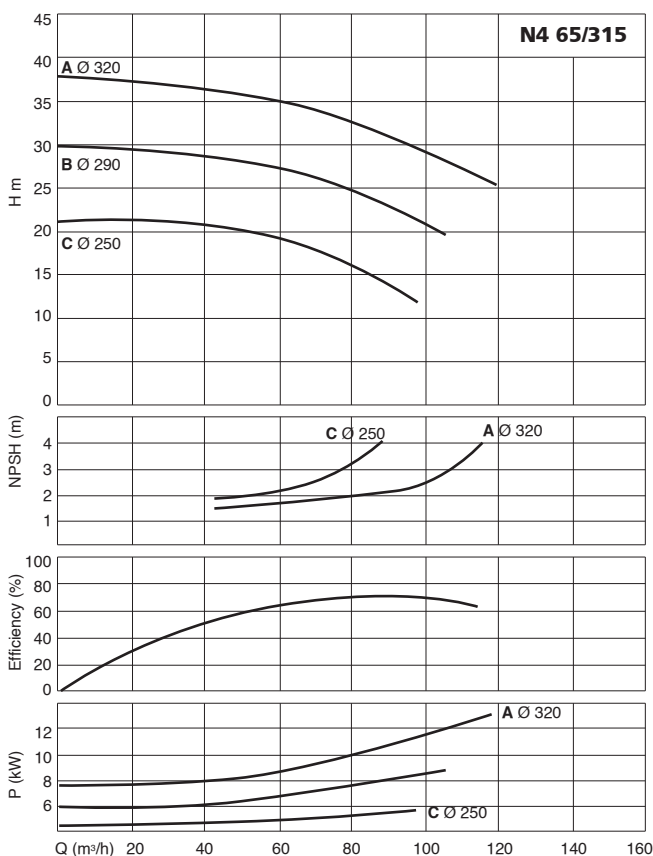
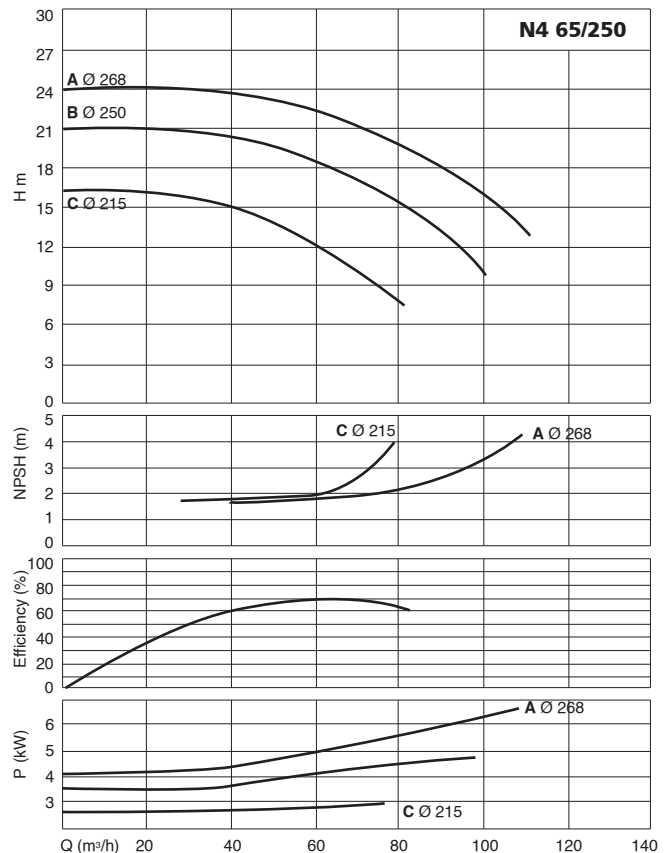
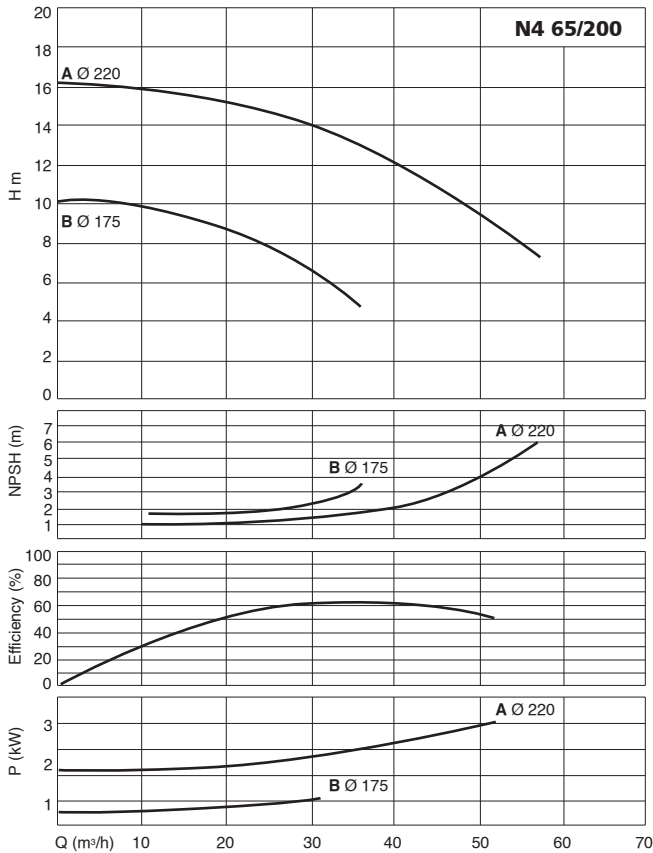
Characteristic curves n = 1450 1/min



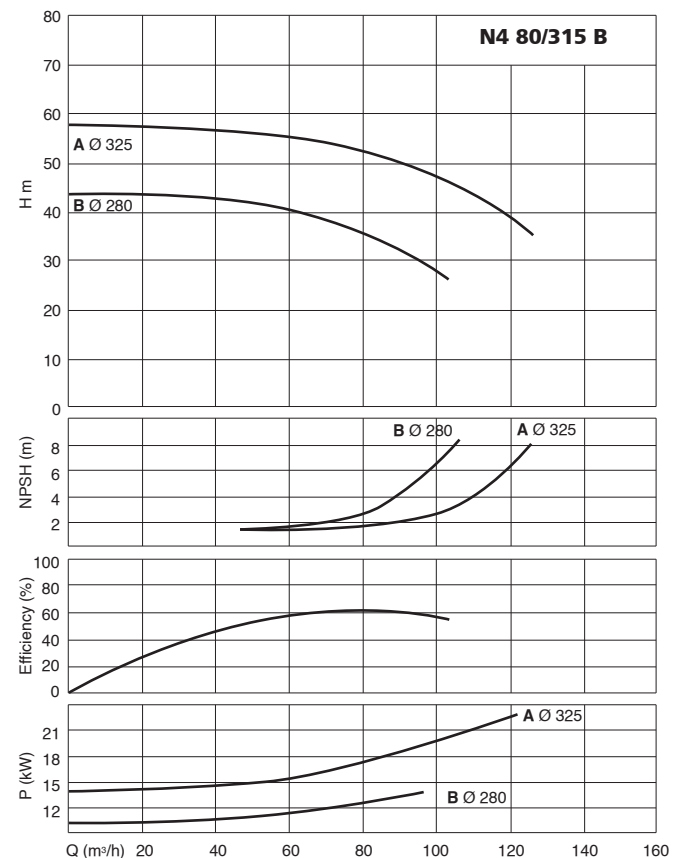
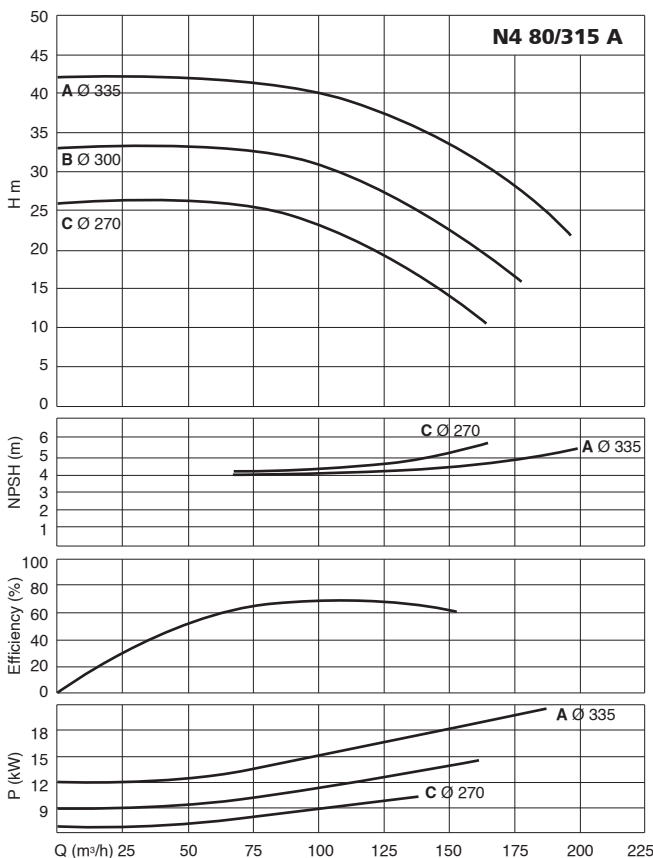
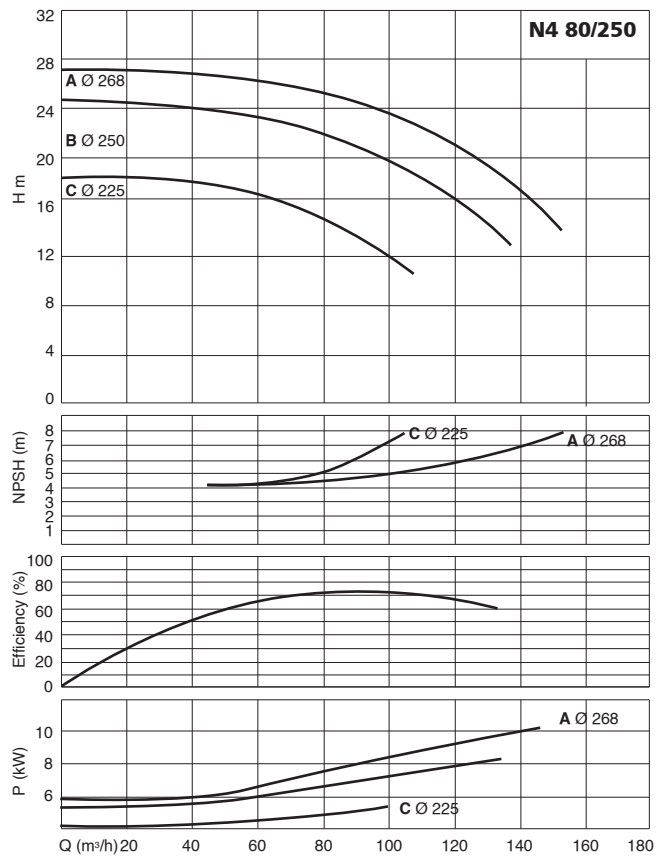
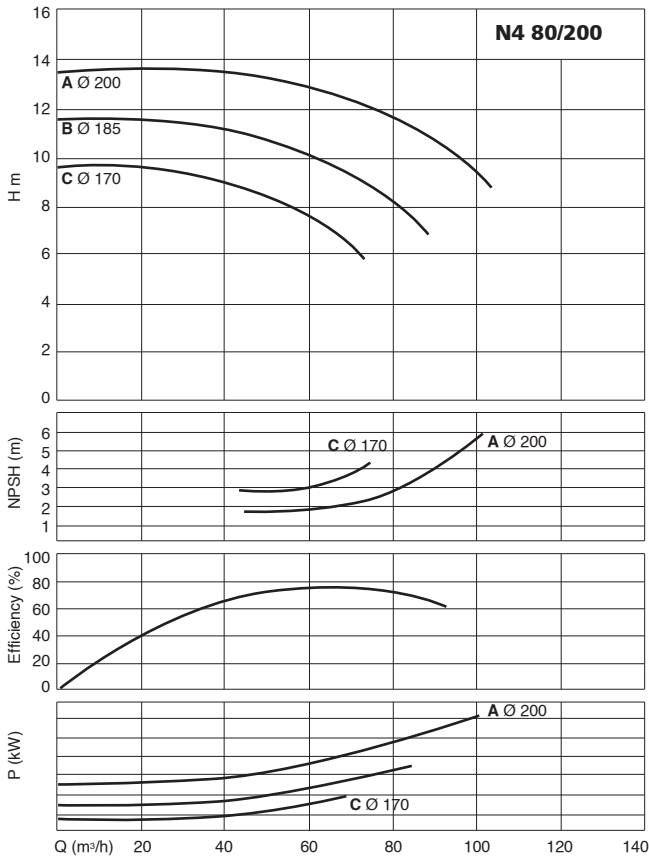
Characteristic curves n = 1450 1/min



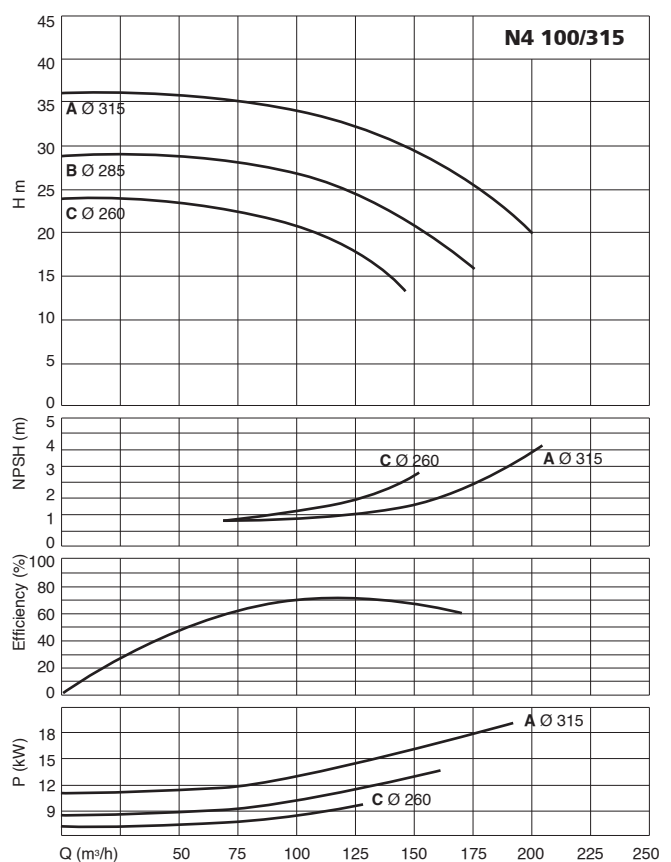
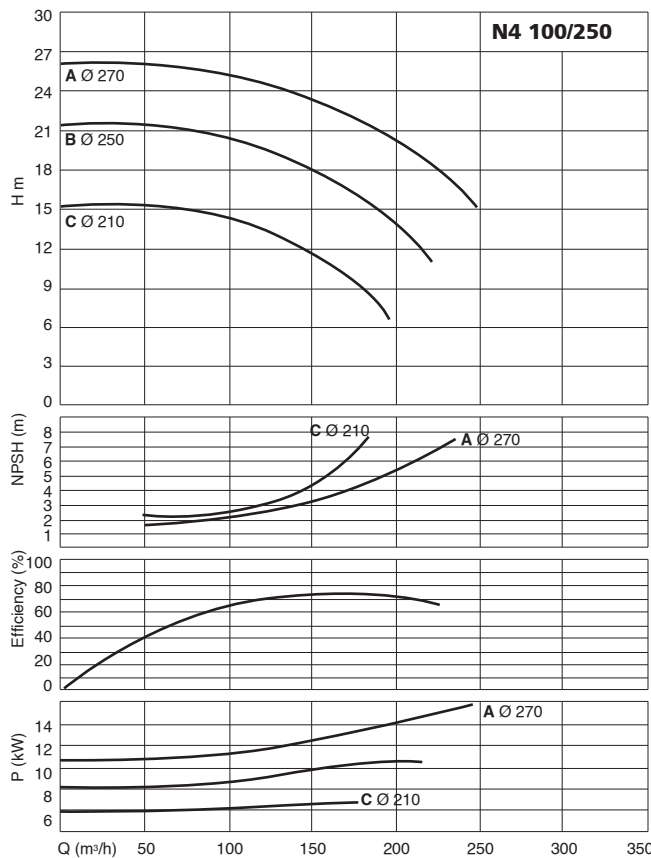
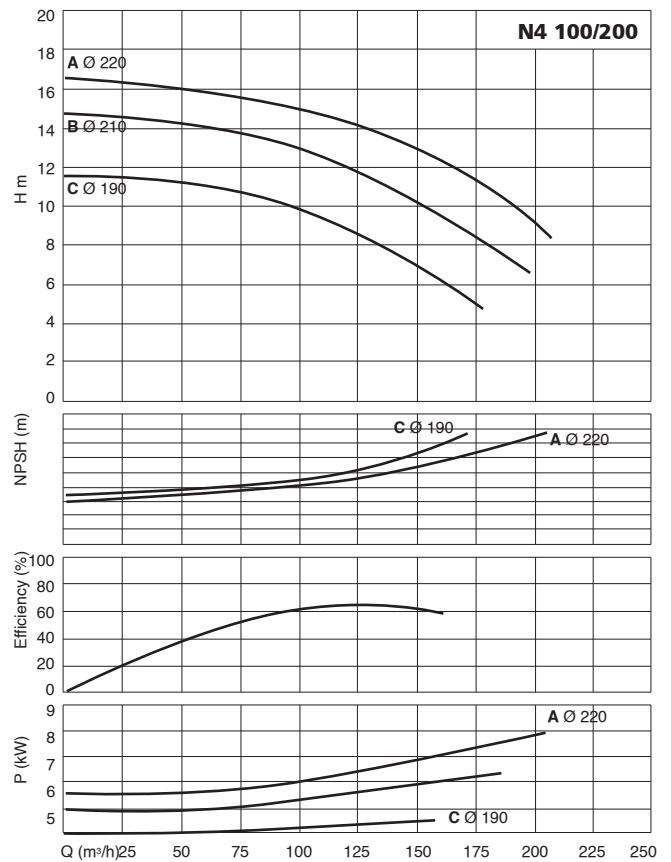
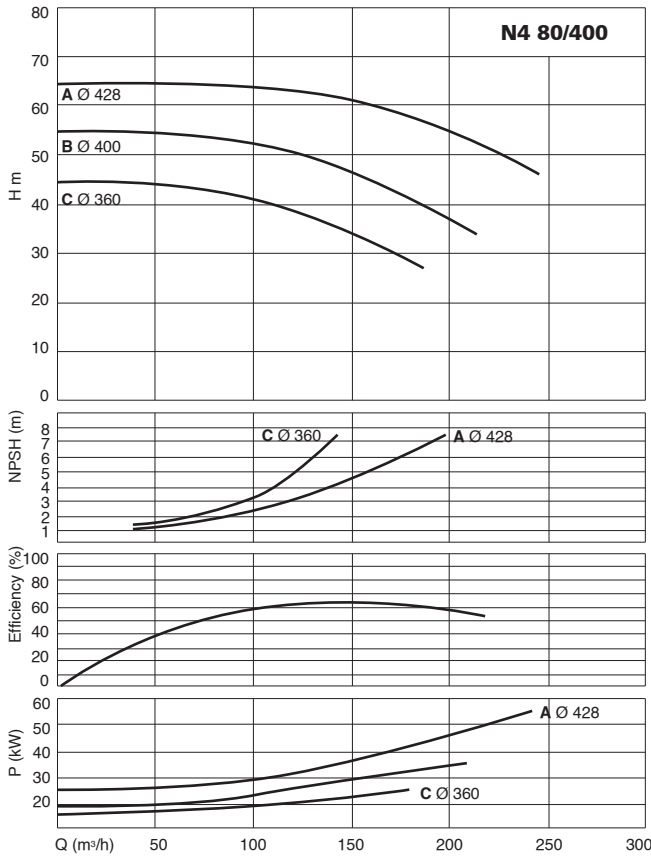
Characteristic curves n = 1450 1/min



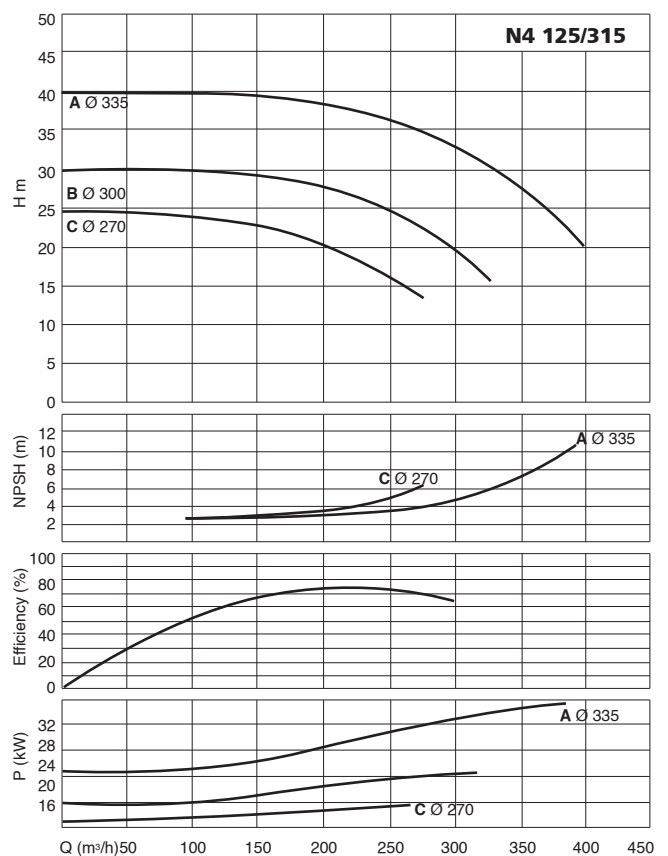
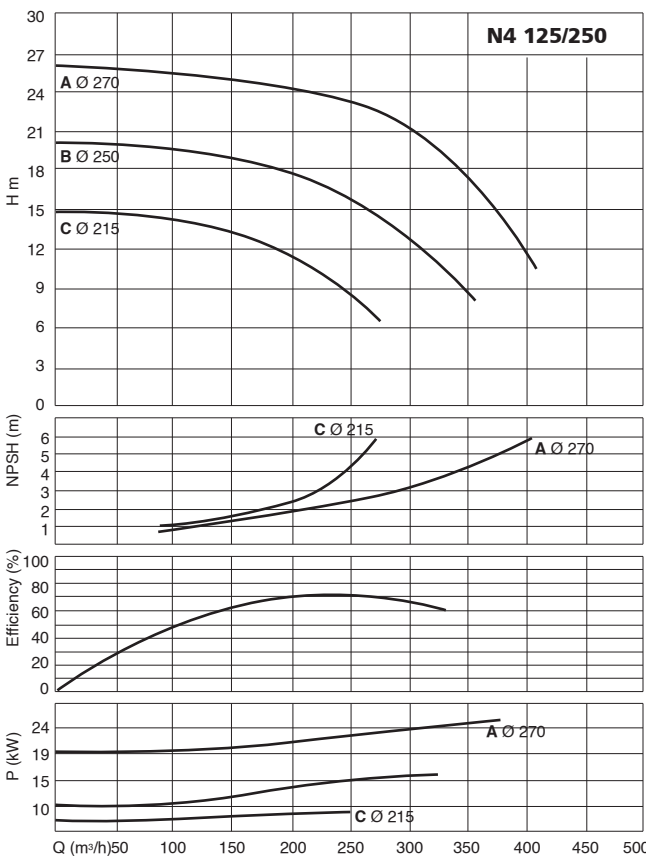
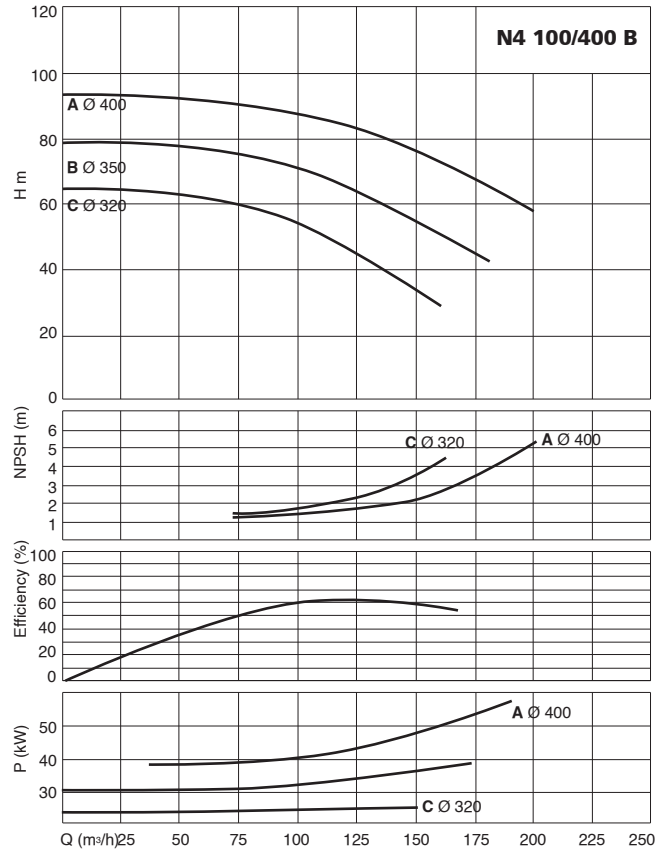
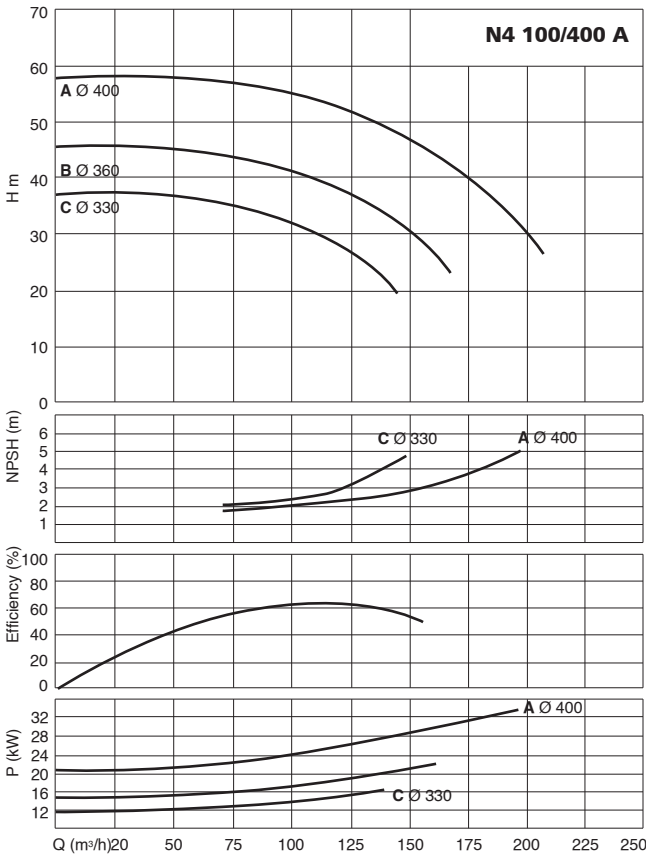
Characteristic curves n = 1450 1/min



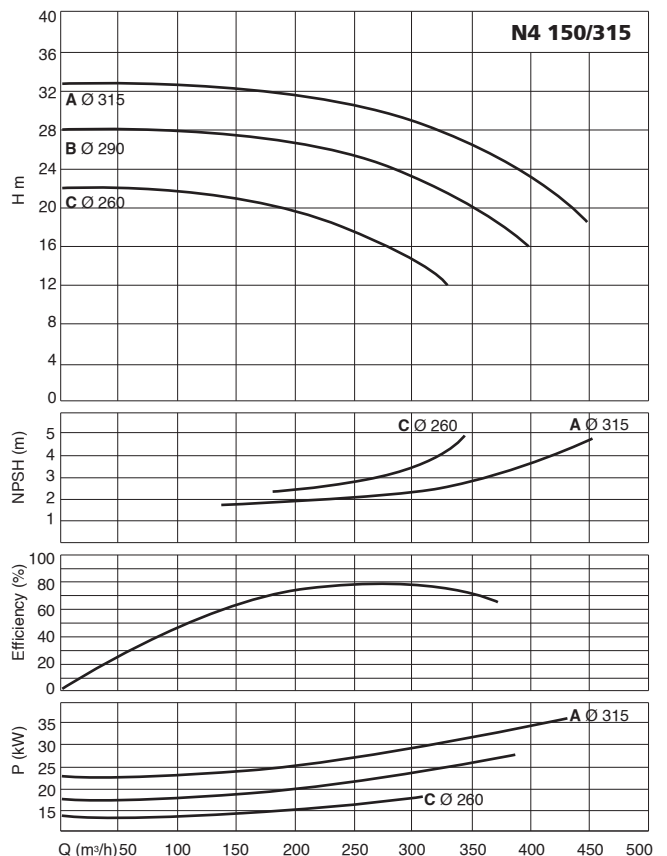
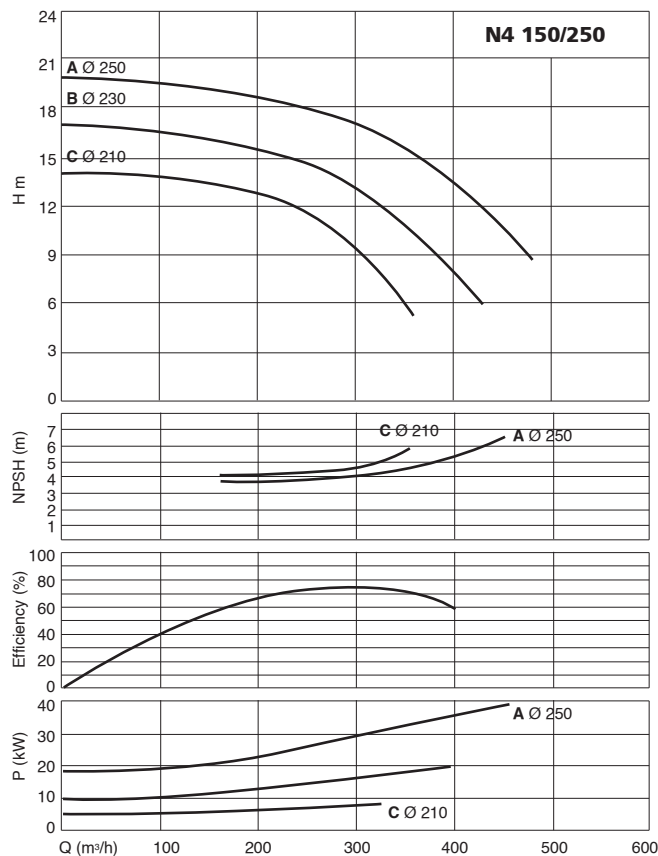
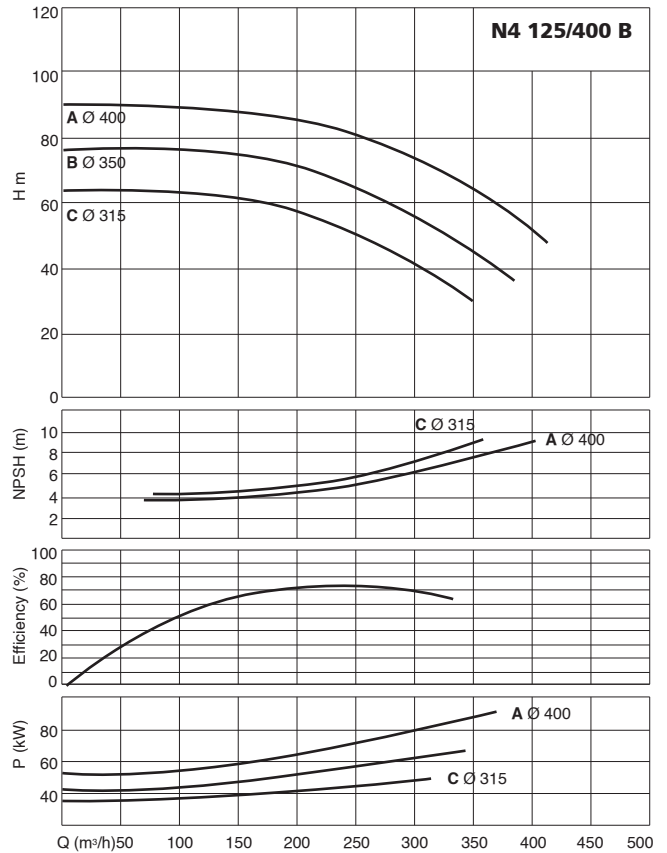
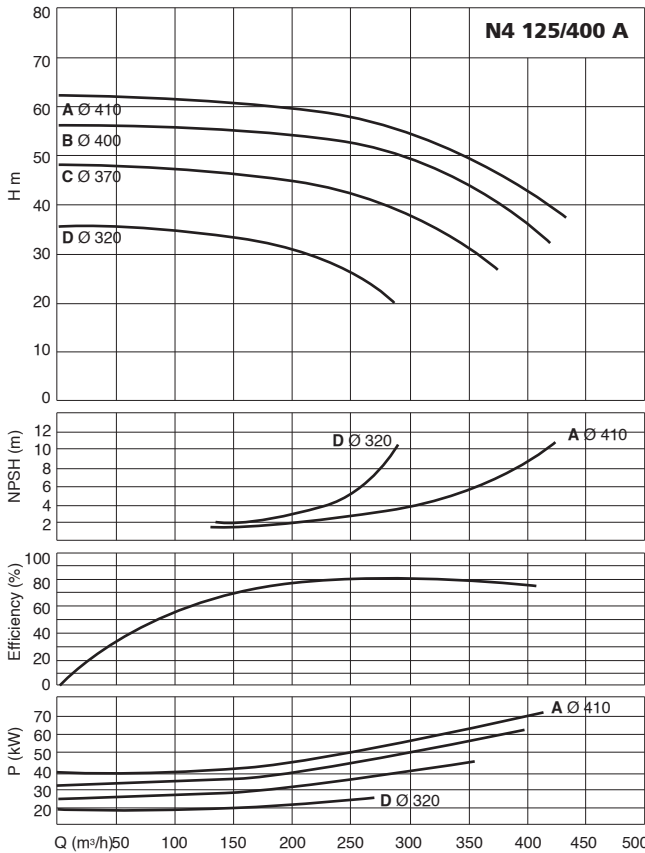
Characteristic curves n = 1450 1/min



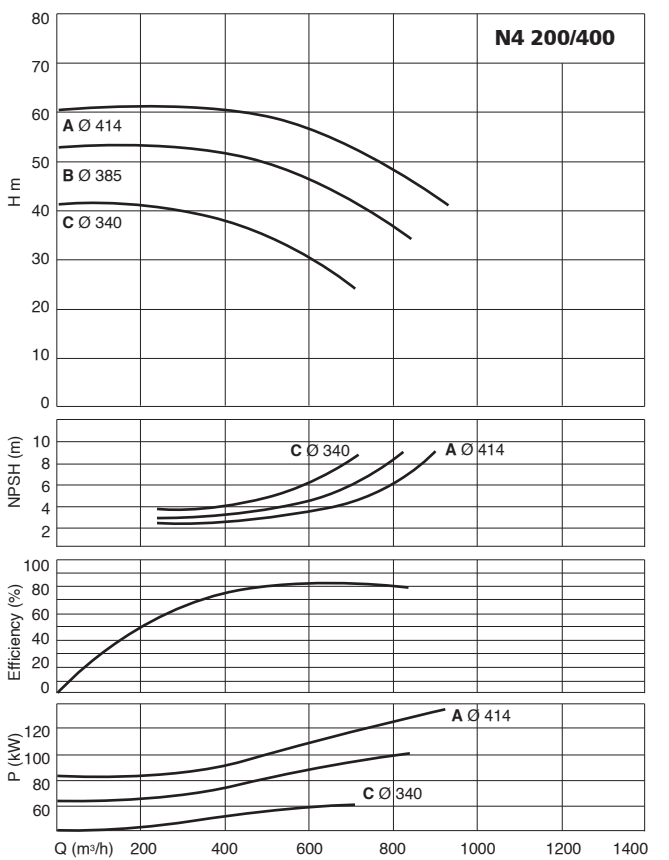
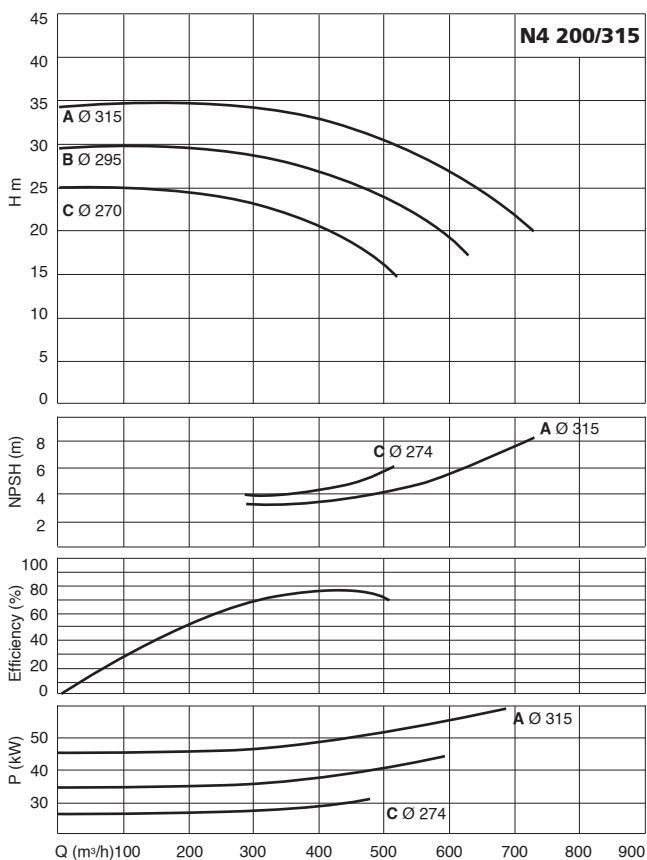
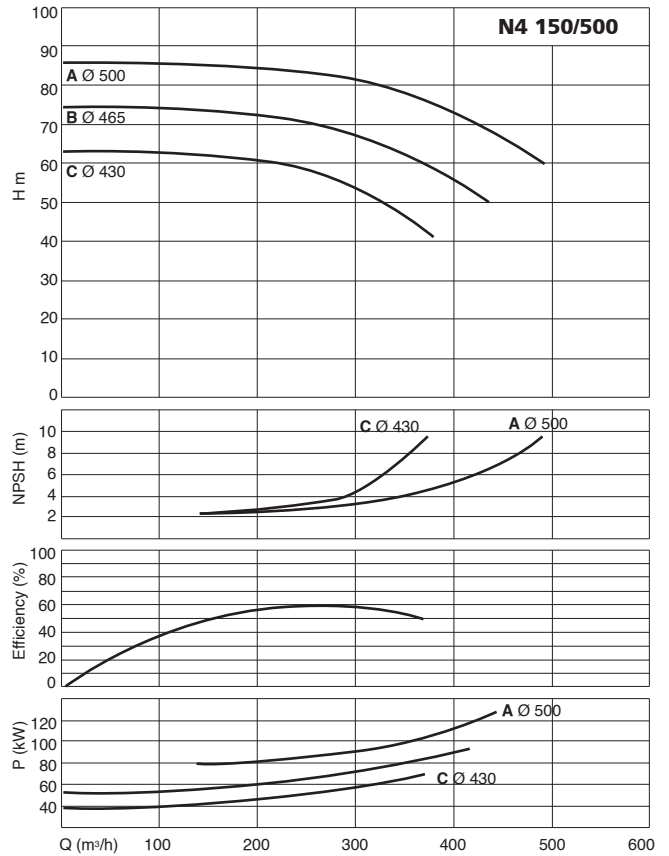
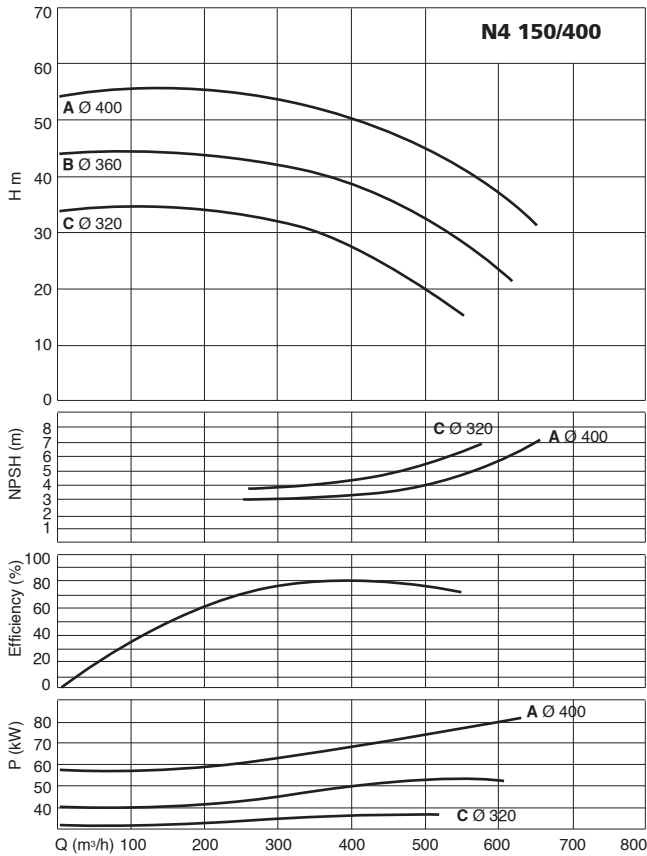
Characteristic curves n = 1450 1/min



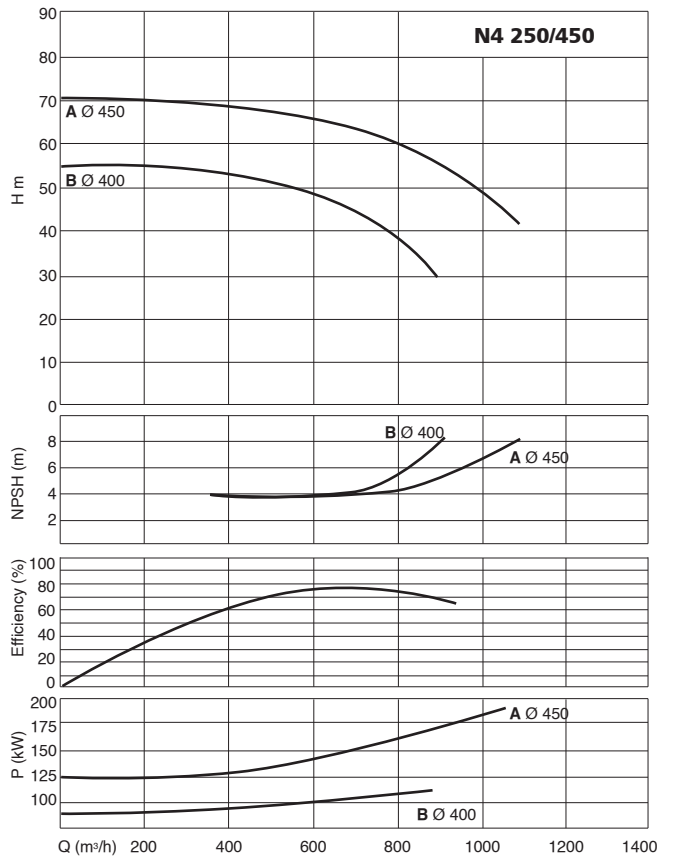
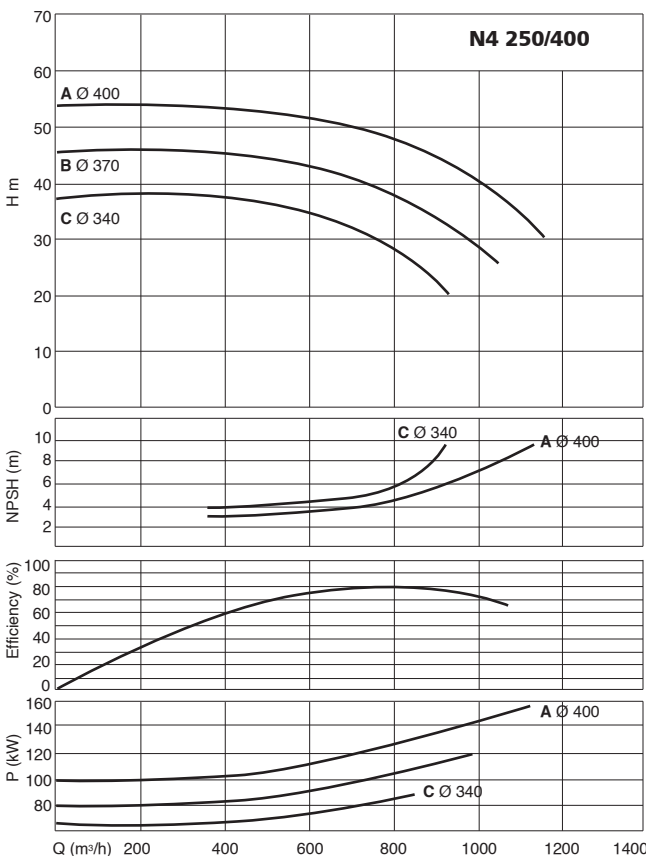
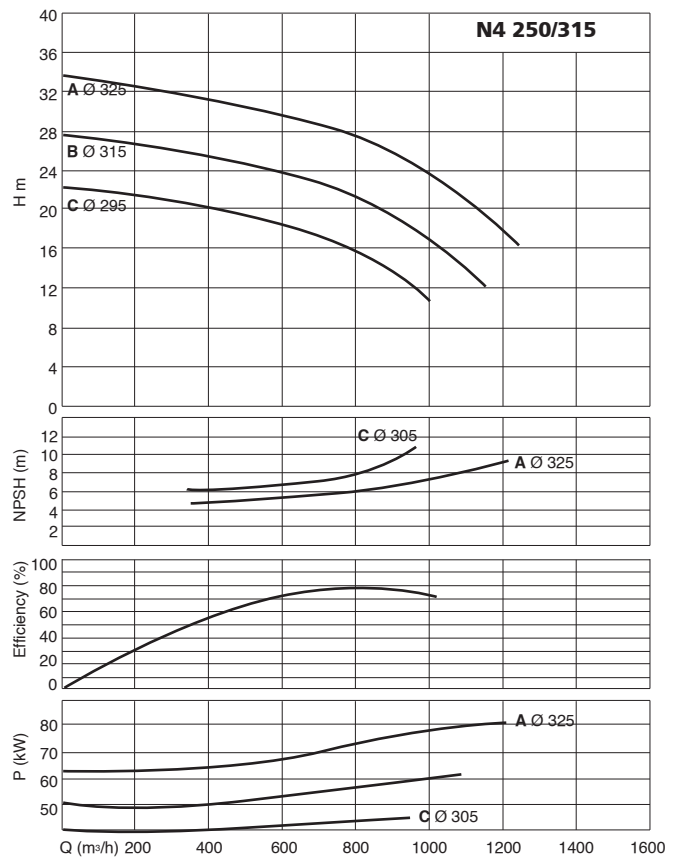
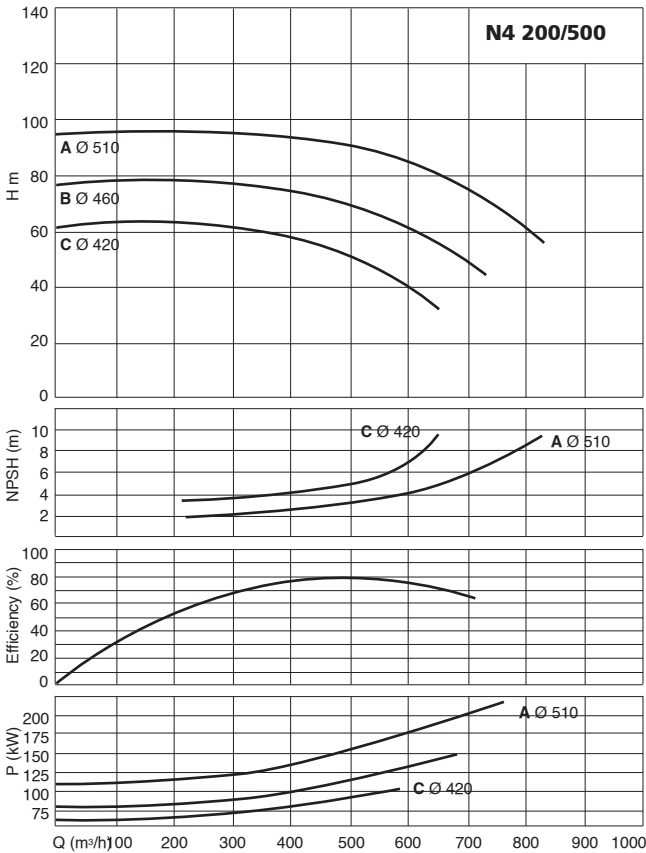
Characteristic curves n = 1450 1/min



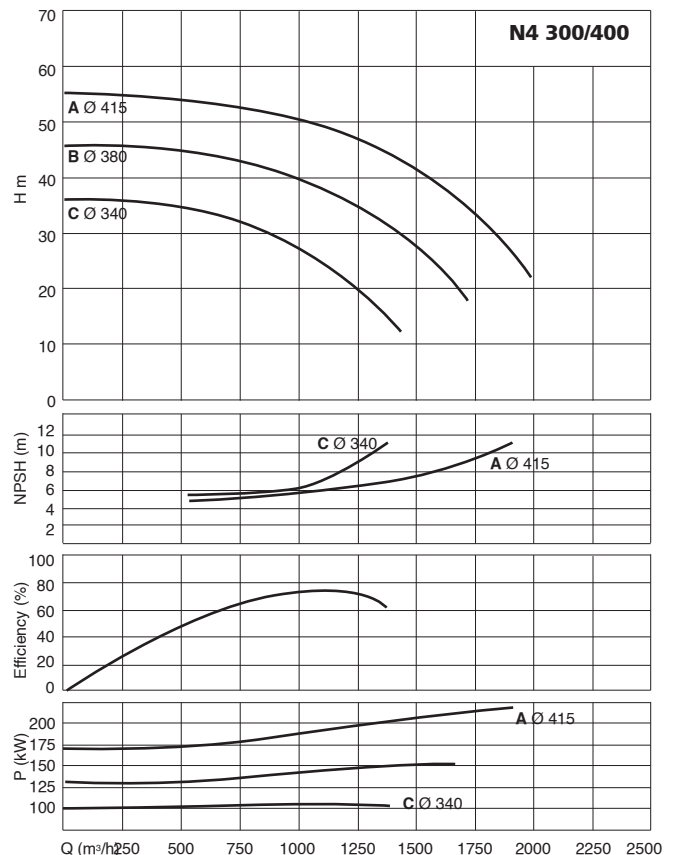
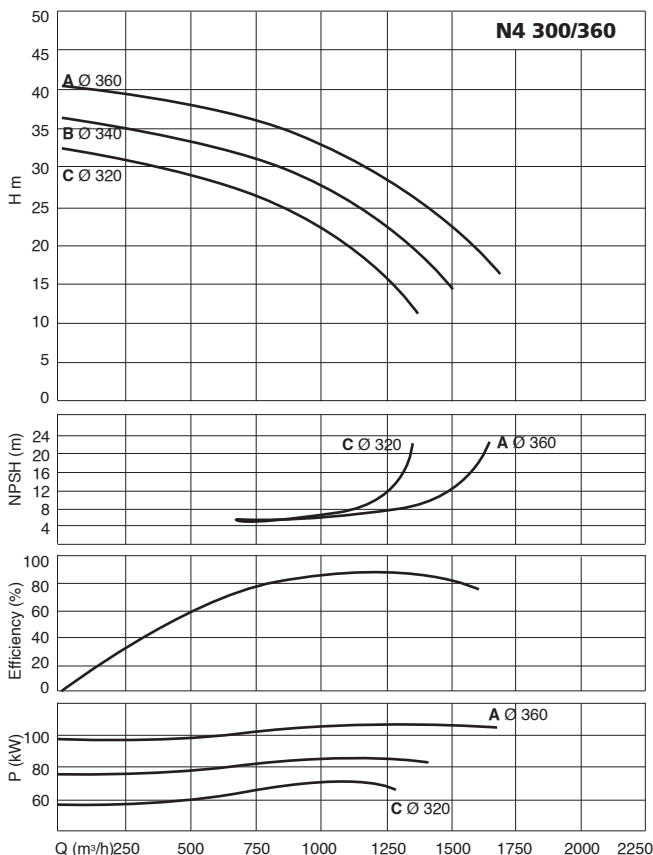
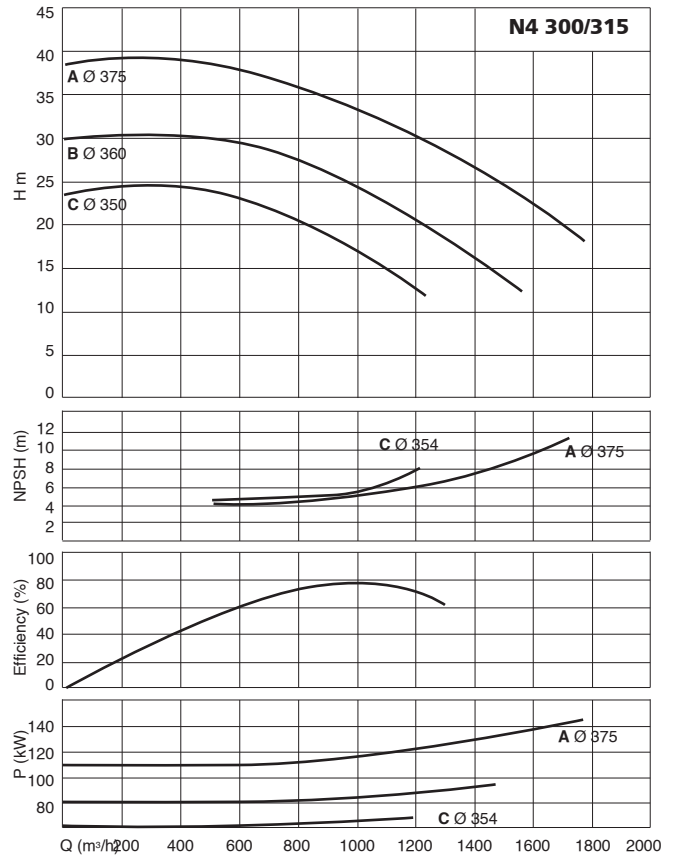
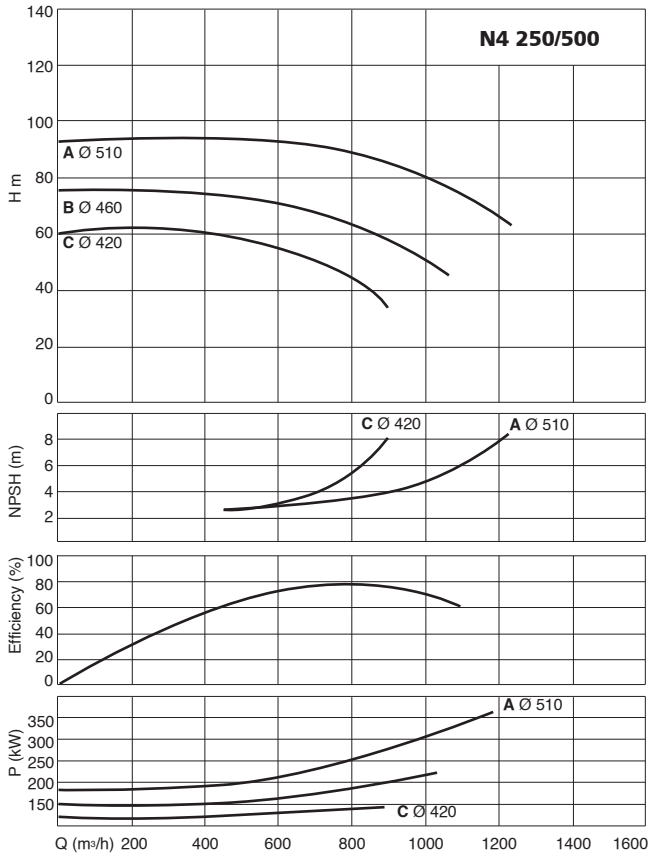
Characteristic curves n = 1450 1/min



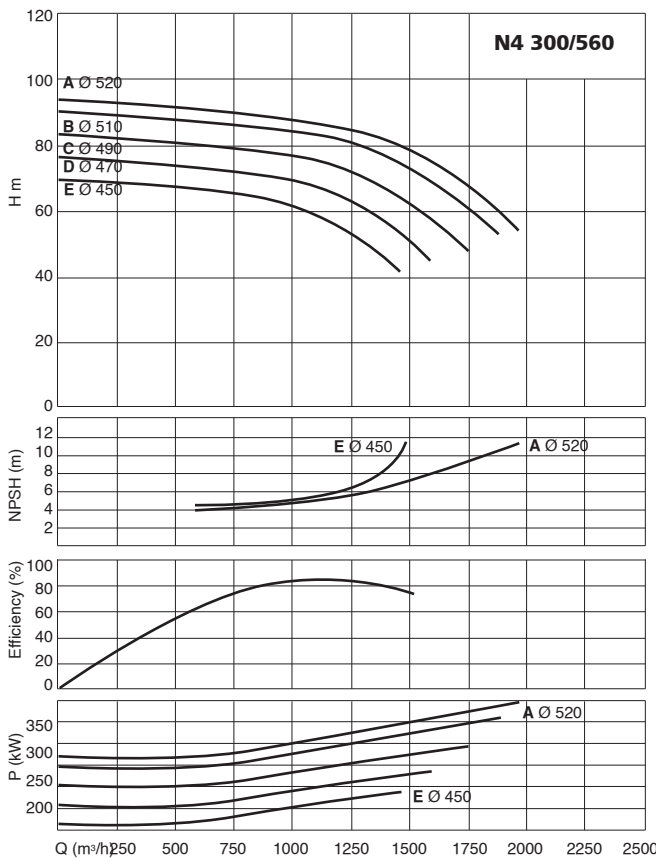
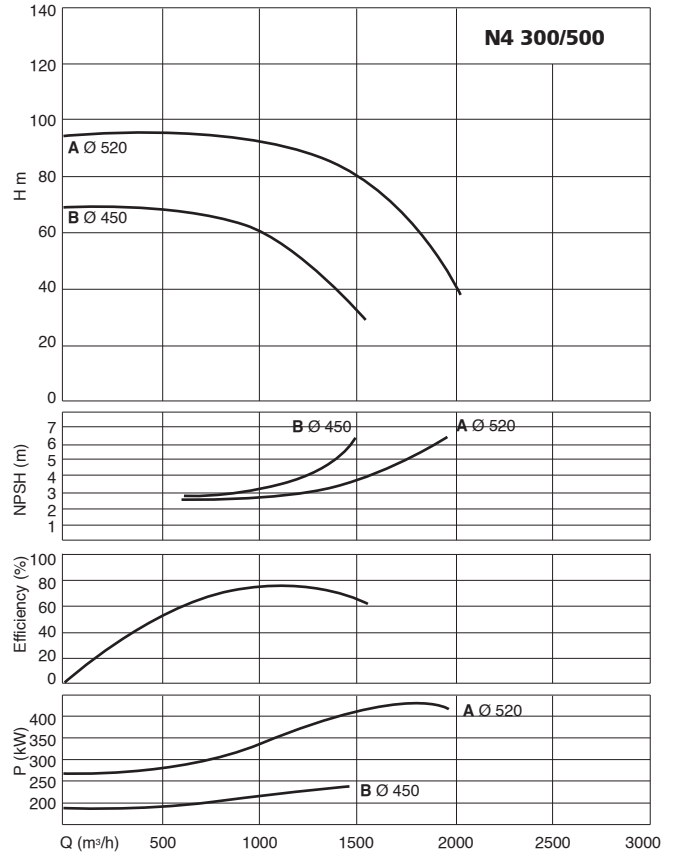
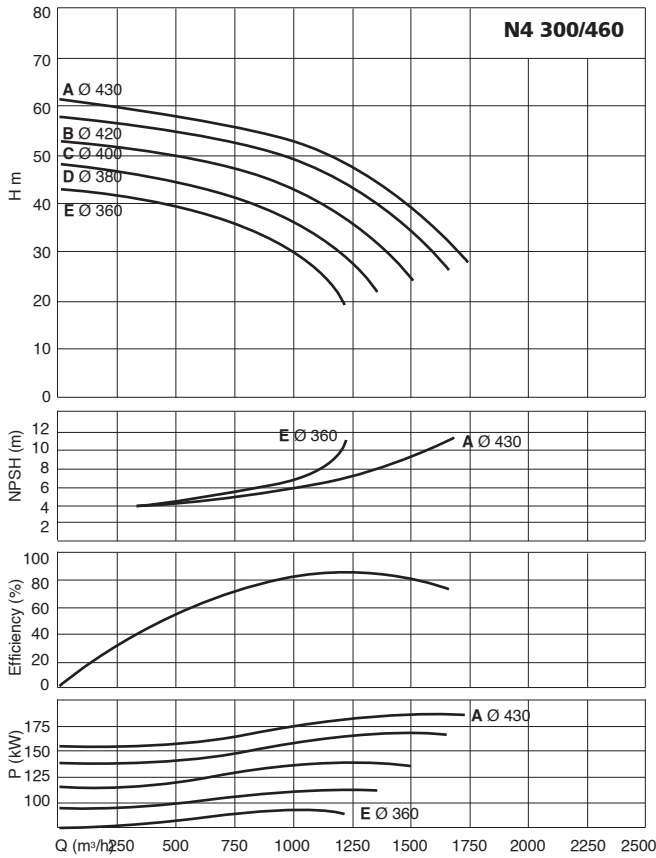
Characteristic curves n = 1450 1/min



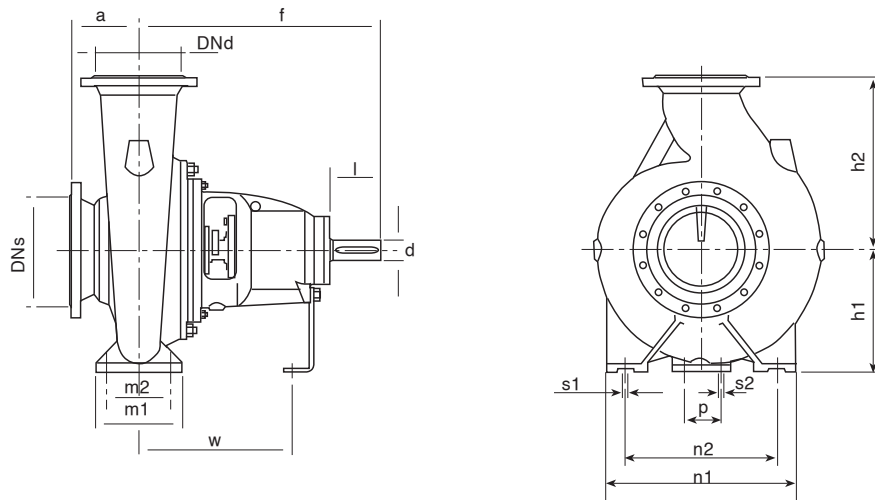
Characteristic curves n = 1450 1/min



Characteristic curves n = 1450 1/min



Dimensions and weights



Pump	DNs	DNd	a	f	w	h1	h2	n1	n2	m1	m2	s1	p	s2	d	l	kg
N/N4 32-200	50	32	80	360	260	160	180	240	190	100	70	14	110	14	24	50	35
N/N4 32-250	50	32	100	360	260	180	225	320	250	125	95	14	110	14	24	50	50
N/N4 40-200	65	40	100	360	260	160	180	265	212	100	70	14	110	14	24	50	38
N/N4 40-250	65	40	100	360	260	180	225	320	250	125	95	14	110	14	24	50	52
N/N4 40-315	65	40	100	360	260	200	250	345	280	125	95	14	110	14	24	50	53
N/N4 50-200	65	50	100	360	260	160	200	265	212	100	70	14	110	14	24	50	40
N/N4 50-250	65	50	100	360	260	180	225	320	250	125	95	14	110	14	24	50	55
N4 50-315	80	50	125	470	340	225	280	345	280	125	95	19	110	14	32	80	86
N/N4 65-200	80	65	100	360	260	180	225	320	250	125	95	14	110	14	24	50	47
N/N4 65-250	80	65	100	470	340	200	250	360	280	160	120	19	110	14	32	80	76
N/N4 65-315	80	65	125	470	340	225	280	400	315	160	120	19	110	14	32	80	94
N4 65-400	100	65	125	470	340	250	355	435	355	160	120	19	110	14	32	80	96
N 80-160	100	80	125	360	260	180	225	320	250	125	95	14	110	14	24	50	43
N/N4 80-200	100	80	125	470	340	180	250	345	280	125	95	14	110	14	32	80	63
N/N4 80-250	100	80	125	470	340	200	280	400	315	160	120	19	110	14	32	80	80
N/N4 80-315	100	80	125	470	340	250	315	400	315	160	120	19	110	14	32	80	100
N4 80-400	100	80	125	530	360	280	355	435	355	160	120	19	110	14	42	110	147
N/N4 100-200	125	100	125	470	340	200	280	360	280	160	120	19	110	14	32	80	86
N/N4 100-250	125	100	140	470	340	225	280	400	315	160	120	19	110	14	32	80	90
N4 100-315	125	100	140	470	340	250	315	400	315	160	120	19	110	14	32	80	114
N4 100-400	125	100	140	530	360	280	355	500	400	200	150	23	110	14	42	110	155
N/N4 125-250	150	125	140	470	340	250	355	400	315	160	120	19	110	14	32	80	101
N4 125-315	150	125	140	530	360	280	355	500	400	200	150	23	110	14	42	110	148
N4 125-400	150	125	140	530	360	315	400	500	400	200	150	23	110	14	42	110	183
N4 150-250	200	150	160	470	340	280	375	500	400	200	150	23	110	14	32	80	131
N4 150-315	200	150	160	530	360	280	400	550	450	200	150	23	110	14	42	110	148
N4 150-400	200	150	160	530	360	315	450	550	450	200	150	23	110	14	42	110	207
N4 150-500	200	150	200	730	495	400	525	720	600	250	200	27	140	20	55	110	450
N4 200-315	250	200	200	610	410	355	450	600	500	250	200	23	140	20	42	110	265
N4 200-400	250	200	180	725	490	400	500	600	500	250	200	23	140	20	55	110	320
N4 200-500	250	200	210	925	640	400	525	720	600	300	240	27	140	20	70	140	580

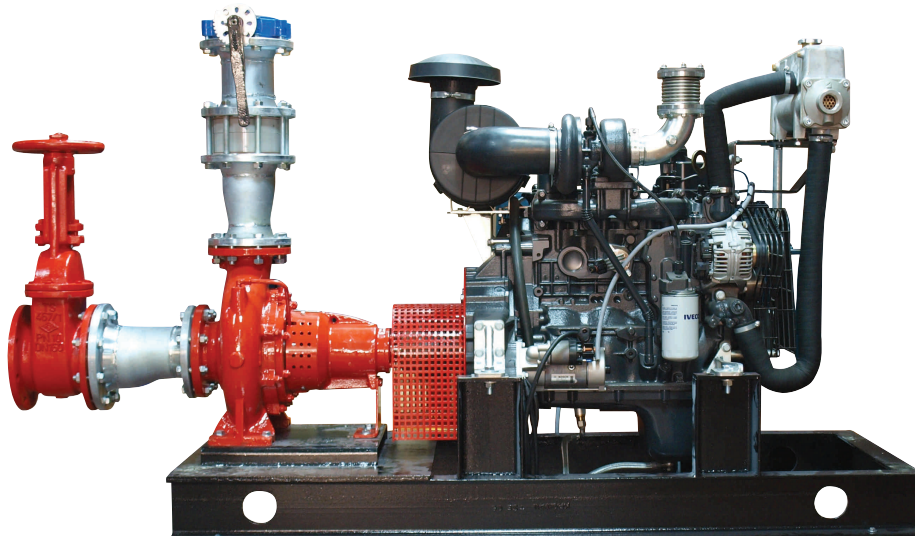
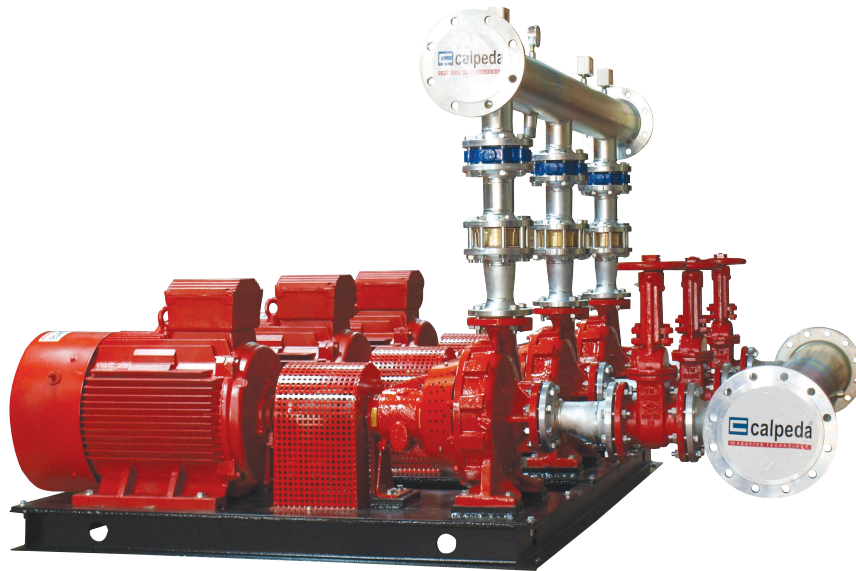
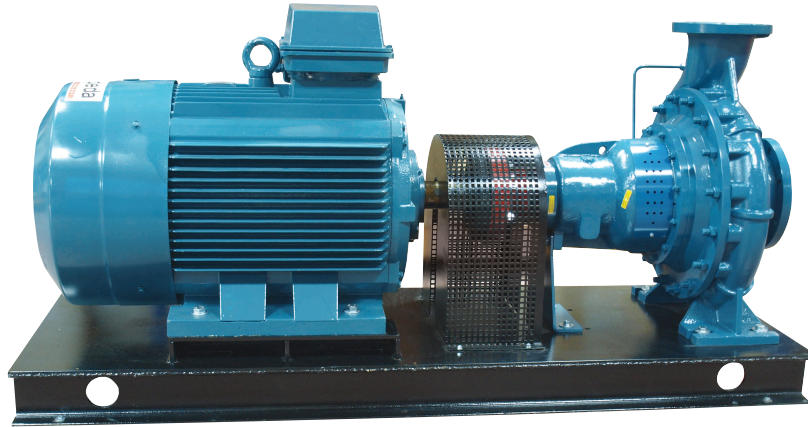
For dimensions not given in the table above, please consult our company.

N, N4

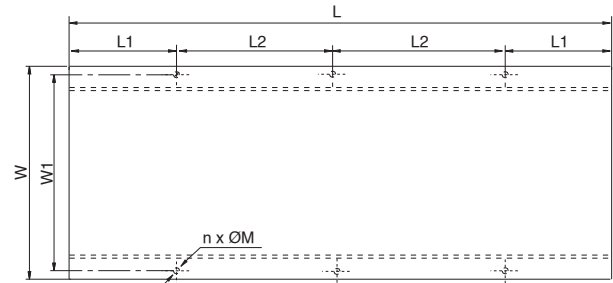
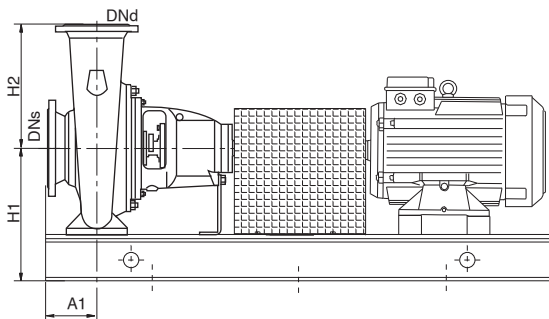
End-Suction Centrifugal Pumps standardized EN 733

 **calpeda®**

Dimensions and weights



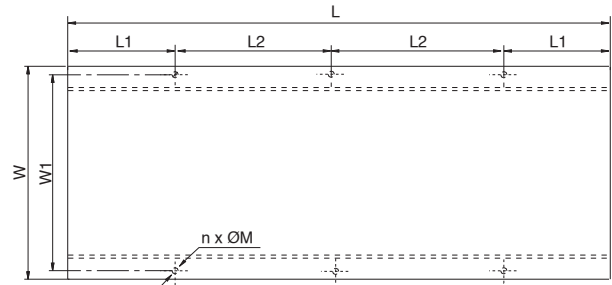
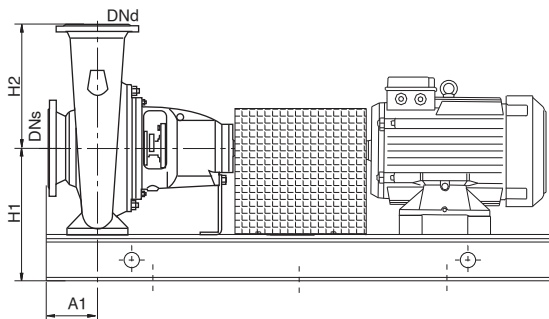
Dimensions and weights of pumps with electric motors



Pump	DNs	DNd	H1	H2	A1	L	L1	L2	n x M	W	W1	kg
N 32-200 - 5.5 kW	50	32	225	180	80	900	200	-	4 x 12	400	360	107
N 32-200 - 7.5 kW	50	32	225	180	80	900	200	-	4 x 12	400	360	113
N 32-200 - 11 kW	50	32	225	180	80	1,100	200	-	4 x 12	400	360	183
N 32-250 - 7.5 kW	50	32	245	225	100	1,000	200	-	4 x 12	400	360	134
N 32-250 - 11 kW	50	32	245	225	100	1,100	200	-	4 x 12	400	360	200
N 32-250 - 15 kW	50	32	245	225	100	1,100	200	-	4 x 12	400	360	212
N 40-200 - 7.5 kW	65	40	225	180	100	1,000	200	-	4 x 12	400	360	120
N 40-200 - 11 kW	65	40	225	180	100	1,100	200	-	4 x 12	400	360	187
N 40-200 - 15 kW	65	40	225	180	100	1,100	200	-	4 x 12	400	360	199
N 40-250 - 11 kW	65	40	245	225	100	1,100	200	-	4 x 12	400	360	202
N 40-250 - 15 kW	65	40	245	225	100	1,100	200	-	4 x 12	400	360	214
N 40-250 - 18.5 kW	65	40	245	225	100	1,200	200	-	4 x 12	400	360	234
N 40-250 - 22 kW	65	40	245	225	100	1,200	200	-	4 x 12	500	460	287
N 40-250 - 30 kW	65	40	266	225	100	1,300	200	-	4 x 12	500	460	360
N 50-200 - 11 kW	65	50	225	200	100	1,100	200	-	4 x 12	400	360	189
N 50-200 - 15 kW	65	50	225	200	100	1,100	200	-	4 x 12	400	360	201
N 50-200 - 18.5 kW	65	50	225	200	100	1,200	200	-	4 x 12	400	360	221
N 50-200 - 22 kW	65	50	245	200	100	1,200	200	-	4 x 12	500	460	274
N 50-250 - 18.5 kW	65	50	245	225	100	1,200	200	-	4 x 12	400	360	237
N 50-250 - 22 kW	65	50	245	225	100	1,200	200	-	4 x 12	500	460	290
N 50-250 - 30 kW	65	50	266	225	100	1,300	200	-	4 x 12	500	460	363
N 50-250 - 37 kW	65	50	266	225	100	1,300	200	-	4 x 12	500	460	385
N 65-200 - 18.5 kW	80	65	245	225	100	1,200	200	-	4 x 12	400	360	229
N 65-200 - 22 kW	80	65	245	225	100	1,200	200	-	4 x 12	500	460	281
N 65-200 - 30 kW	80	65	266	225	100	1,300	200	-	4 x 12	500	460	354
N 65-200 - 37 kW	80	65	266	225	100	1,300	200	-	4 x 12	500	460	376
N 65-250 - 22 kW	80	65	265	250	100	1,300	200	-	4 x 12	500	460	317
N 65-250 - 30 kW	80	65	266	250	100	1,400	200	-	4 x 12	500	460	391
N 65-250 - 37 kW	80	65	286	250	100	1,400	200	-	4 x 12	500	460	420
N 65-250 - 45 kW	80	65	311	250	100	1,400	200	-	4 x 12	600	560	512
N 65-250 - 55 kW	80	65	338	250	100	1,500	200	550	6 x 12	600	560	620
N 80-160 - 11 kW	100	80	245	225	125	1,100	200	-	4 x 12	400	360	192
N 80-160 - 15 kW	100	80	245	225	125	1,100	200	-	4 x 12	400	360	204
N 80-160 - 18.5 kW	100	80	245	225	125	1,200	200	-	4 x 12	400	360	224
N 80-160 - 22 kW	100	80	245	225	125	1,200	200	-	4 x 12	500	460	277
N 80-200 - 22 kW	100	80	245	250	125	1,300	200	-	4 x 12	500	460	303
N 80-200 - 30 kW	100	80	266	250	125	1,400	200	-	4 x 12	500	460	377
N 80-200 - 37 kW	100	80	286	250	125	1,400	200	-	4 x 12	500	460	406
N 80-200 - 45 kW	100	80	311	250	125	1,500	200	550	6 x 12	600	560	504
N 80-250 - 37 kW	100	80	286	280	125	1,400	200	-	4 x 12	500	460	425
N 80-250 - 45 kW	100	80	311	280	125	1,500	200	550	6 x 12	600	560	522
N 80-250 - 55 kW	100	80	338	280	125	1,600	200	600	6 x 12	600	560	632
N 80-250 - 75 kW	100	80	390	280	125	1,600	200	600	6 x 16	700	650	844

For dimensions not given in the table above, please consult our company.

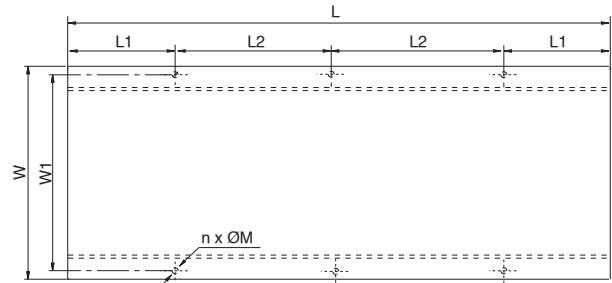
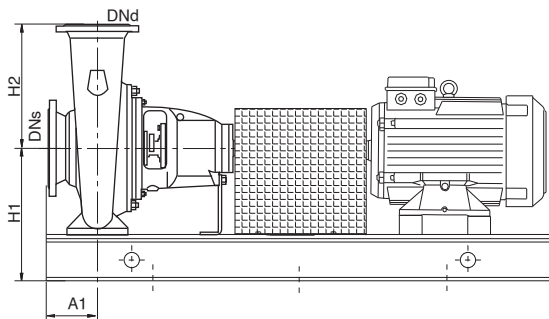
Dimensions and weights of pumps with electric motors



Pump	DNs	DNd	H1	H2	A1	L	L1	L2	n x M	W	W1	kg
N 100-200 - 30 kW	125	100	286	280	125	1,400	200	-	4 x 12	500	460	409
N 100-200 - 37 kW	125	100	286	280	125	1,400	200	-	4 x 12	500	460	431
N 100-200 - 45 kW	125	100	313	280	125	1,500	200	550	6 x 12	600	560	549
N 100-200 - 55 kW	125	100	338	280	125	1,600	200	600	6 x 12	600	560	638
N 100-250 - 45 kW	125	100	313	280	140	1,500	200	550	6 x 12	600	560	553
N 100-250 - 55 kW	125	100	338	280	140	1,600	200	600	6 x 12	600	560	643
N 100-250 - 75 kW	125	100	390	280	140	1,600	200	600	6 x 16	700	650	855
N 100-250 - 90 kW	125	100	390	280	140	1,700	200	650	6 x 16	700	650	920
N 100-250 - 110 kW	125	100	447	280	140	1,800	200	700	6 x 16	800	750	1,206
N4 32-200 - 0.55 kW	50	32	225	180	80	800	150	-	4 x 12	400	360	75
N4 32-200 - 0.75 kW	50	32	225	180	80	800	150	-	4 x 12	400	360	77
N4 32-200 - 1.1 kW	50	32	225	180	80	800	150	-	4 x 12	400	360	80
N4 32-250 - 1.1 kW	50	32	245	225	100	800	150	-	4 x 12	400	360	96
N4 32-250 - 1.5 kW	50	32	245	225	100	800	150	-	4 x 12	400	360	98
N4 32-250 - 2.2 kW	50	32	245	225	100	900	200	-	4 x 12	400	360	106
N4 32-250 - 3 kW	50	32	245	225	100	900	200	-	4 x 12	400	360	110
N4 40-200 - 0.75 kW	65	40	225	180	100	800	150	-	4 x 12	400	360	80
N4 40-200 - 1.1 kW	65	40	225	180	100	800	150	-	4 x 12	400	360	83
N4 40-200 - 1.5 kW	65	40	225	180	100	800	150	-	4 x 12	400	360	85
N4 40-200 - 2.2 kW	65	40	225	180	100	900	200	-	4 x 12	400	360	93
N4 40-250 - 1.1 kW	65	40	245	225	100	800	150	-	4 x 12	400	360	98
N4 40-250 - 1.5 kW	65	40	245	225	100	800	150	-	4 x 12	400	360	101
N4 40-250 - 2.2 kW	65	40	245	225	100	900	200	-	4 x 12	400	360	108
N4 40-250 - 3 kW	65	40	245	225	100	900	200	-	4 x 12	400	360	112
N4 40-315 - 2.2 kW	65	40	265	250	100	900	200	-	4 x 12	500	460	114
N4 40-315 - 3 kW	65	40	265	250	100	900	200	-	4 x 12	500	460	118
N4 40-315 - 4 kW	65	40	265	250	100	900	200	-	4 x 12	500	460	127
N4 40-315 - 5.5 kW	65	40	265	250	100	1,000	200	-	4 x 12	500	460	142
N4 50-200 - 1.1 kW	65	50	225	200	100	800	150	-	4 x 12	400	360	85
N4 50-200 - 1.5 kW	65	50	225	200	100	800	150	-	4 x 12	400	360	87
N4 50-200 - 2.2 kW	65	50	225	200	100	900	200	-	4 x 12	400	360	95
N4 50-200 - 3 kW	65	50	225	200	100	900	200	-	4 x 12	400	360	99
N4 50-250 - 2.2 kW	65	50	245	225	100	900	200	-	4 x 12	400	360	112
N4 50-250 - 3 kW	65	50	245	225	100	900	200	-	4 x 12	400	360	115
N4 50-250 - 4 kW	65	50	245	225	100	900	200	-	4 x 12	400	360	124
N4 50-250 - 5.5 kW	65	50	245	225	100	1,000	200	-	4 x 12	400	360	139
N4 50-315 - 4 kW	80	50	290	280	125	1,000	200	-	4 x 12	500	460	167
N4 50-315 - 5.5 kW	80	50	290	280	125	1,100	200	-	4 x 12	500	460	183
N4 50-315 - 7.5 kW	80	50	290	280	125	1,100	200	-	4 x 12	500	460	192
N4 50-315 - 11 kW	80	50	290	280	125	1,200	200	-	4 x 12	500	460	263
N4 65-200 - 1.5 kW	80	65	245	225	100	800	150	-	4 x 12	400	360	95
N4 65-200 - 2.2 kW	80	65	245	225	100	900	200	-	4 x 12	400	360	103
N4 65-200 - 3 kW	80	65	245	225	100	900	200	-	4 x 12	400	360	107
N4 65-200 - 4 kW	80	65	245	225	100	900	200	-	4 x 12	400	360	115

For dimensions not given in the table above, please consult our company.

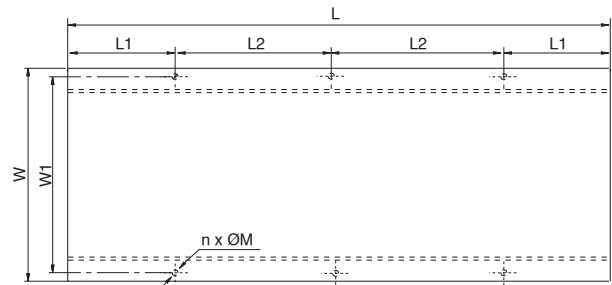
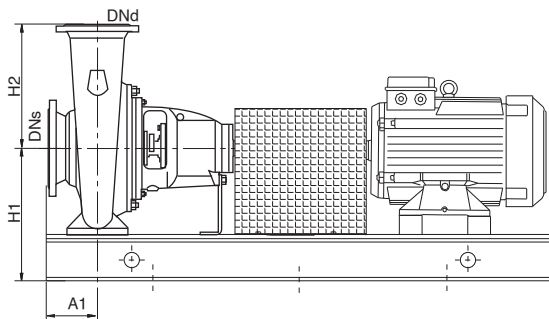
Dimensions and weights of pumps with electric motors



Pump	DNs	DNd	H1	H2	A1	L	L1	L2	n x M	W	W1	kg
N4 65-250 - 3 kW	80	65	265	250	100	1,000	200	-	4 x 12	500	460	148
N4 65-250 - 4 kW	80	65	265	250	100	1,000	200	-	4 x 12	500	460	156
N4 65-250 - 5.5 kW	80	65	265	250	100	1,100	200	-	4 x 12	500	460	172
N4 65-250 - 7.5 kW	80	65	265	250	100	1,100	200	-	4 x 12	500	460	181
N4 65-315 - 5.5 kW	80	65	290	280	125	1,100	200	-	4 x 12	500	460	192
N4 65-315 - 7.5 kW	80	65	290	280	125	1,100	200	-	4 x 12	500	460	200
N4 65-315 - 11 kW	80	65	290	280	125	1,200	200	-	4 x 12	500	460	272
N4 65-315 - 15 kW	80	65	290	280	125	1,300	200	-	4 x 12	500	460	311
N4 65-400 - 11 kW	100	65	315	355	125	1,200	200	-	4 x 12	500	460	274
N4 65-400 - 15 kW	100	65	315	355	125	1,300	200	-	4 x 12	500	460	313
N4 65-400 - 18.5 kW	100	65	316	355	125	1,300	200	-	4 x 12	500	460	342
N4 65-400 - 22 kW	100	65	316	355	125	1,400	200	-	4 x 12	500	460	374
N4 65-400 - 30 kW	100	65	336	355	125	1,400	200	-	4 x 12	600	560	452
N4 80-160 - 1.5 kW	100	80	245	225	125	900	200	-	4 x 12	400	360	94
N4 80-160 - 2.2 kW	100	80	245	225	125	900	200	-	4 x 12	400	360	98
N4 80-160 - 3 kW	100	80	245	225	125	900	200	-	4 x 12	400	360	102
N4 80-200 - 3 kW	100	80	245	250	125	1,000	200	-	4 x 12	500	460	133
N4 80-200 - 4 kW	100	80	245	250	125	1,000	200	-	4 x 12	500	460	142
N4 80-200 - 5.5 kW	100	80	245	250	125	1,100	200	-	4 x 12	500	460	157
N4 80-250 - 4 kW	100	80	265	280	125	1,000	200	-	4 x 12	500	460	161
N4 80-250 - 5.5 kW	100	80	265	280	125	1,100	200	-	4 x 12	500	460	176
N4 80-250 - 7.5 kW	100	80	265	280	125	1,100	200	-	4 x 12	500	460	185
N4 80-250 - 11 kW	100	80	265	280	125	1,200	200	-	4 x 12	500	460	256
N4 80-315 - 7.5 kW	100	80	315	315	125	1,100	200	-	4 x 12	500	460	207
N4 80-315 - 11 kW	100	80	315	315	125	1,200	200	-	4 x 12	500	460	278
N4 80-315 - 15 kW	100	80	315	315	125	1,300	200	-	4 x 12	500	460	317
N4 80-315 - 18.5 kW	100	80	316	315	125	1,300	200	-	4 x 12	500	460	347
N4 80-400 - 22 kW	100	80	366	355	125	1,400	200	-	4 x 12	600	560	447
N4 80-400 - 30 kW	100	80	366	355	125	1,500	200	550	6 x 12	600	560	513
N4 80-400 - 37 kW	100	80	368	355	125	1,500	200	550	6 x 12	600	560	572
N4 100-200 - 3 kW	125	100	265	280	125	1,000	200	-	4 x 12	500	460	159
N4 100-200 - 4 kW	125	100	265	280	125	1,000	200	-	4 x 12	500	460	167
N4 100-200 - 5.5 kW	125	100	265	280	125	1,100	200	-	4 x 12	500	460	183
N4 100-200 - 7.5 kW	125	100	265	280	125	1,100	200	-	4 x 12	500	460	192
N4 100-250 - 5.5 kW	125	100	290	280	140	1,100	200	-	4 x 12	500	460	187
N4 100-250 - 7.5 kW	125	100	290	280	140	1,200	200	-	4 x 12	500	460	200
N4 100-250 - 11 kW	125	100	290	280	140	1,300	200	-	4 x 12	500	460	271
N4 100-250 - 15 kW	125	100	290	280	140	1,300	200	-	4 x 12	500	460	306
N4 100-315 - 11 kW	125	100	315	315	140	1,300	200	-	4 x 12	500	460	298
N4 100-315 - 15 kW	125	100	316	315	140	1,300	200	-	4 x 12	500	460	340
N4 100-315 - 18.5 kW	125	100	316	315	140	1,300	200	-	4 x 12	500	460	362
N4 100-315 - 22 kW	125	100	316	315	140	1,400	200	-	4 x 12	500	460	394
N4 100-315 - 30 kW	125	100	336	315	140	1,400	200	-	4 x 12	500	460	462

For dimensions not given in the table above, please consult our company.

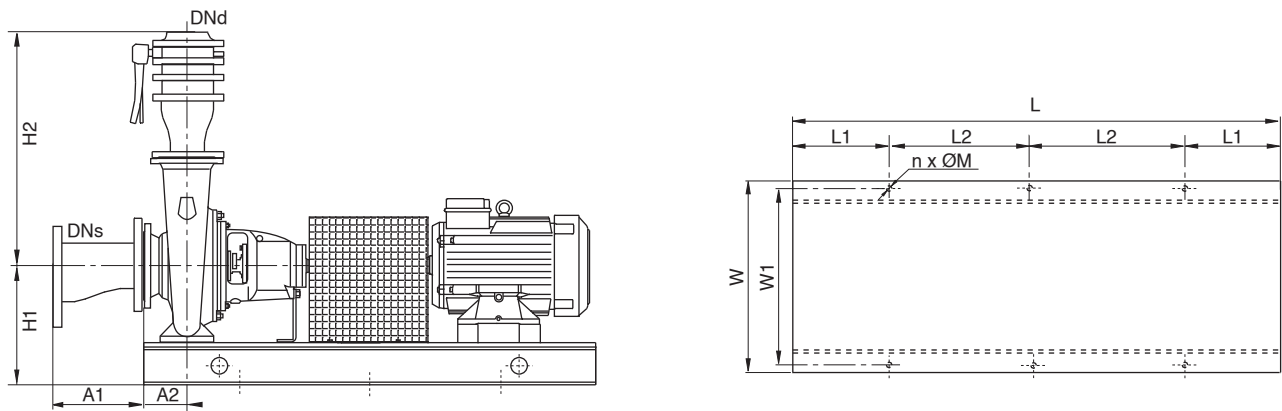
Dimensions and weights of pumps with electric motors



Pump	DNs	DNd	H1	H2	A1	L	L1	L2	n x M	W	W1	kg
N4 100-400 - 22 kW	125	100	366	355	140	1,400	200	-	4 x 12	600	560	456
N4 100-400 - 30 kW	125	100	366	355	140	1,500	200	550	6 x 12	600	560	522
N4 100-400 - 37 kW	125	100	368	355	140	1,500	200	550	6 x 12	600	560	581
N4 100-400 - 45 kW	125	100	368	355	140	1,600	200	600	6 x 12	600	560	637
N4 100-400 - 55 kW	125	100	388	355	140	1,600	200	600	6 x 16	700	650	748
N4 125-250 - 11 kW	150	125	315	355	140	1,300	200	-	4 x 12	500	460	283
N4 125-250 - 15 kW	150	125	315	355	140	1,300	200	-	4 x 12	500	460	319
N4 125-250 - 18.5 kW	150	125	316	355	140	1,300	200	-	4 x 12	500	460	348
N4 125-250 - 22 kW	150	125	316	355	140	1,400	200	-	4 x 12	500	460	380
N4 125-315 - 15 kW	150	125	346	355	140	1,400	200	-	4 x 12	600	560	391
N4 125-315 - 18.5 kW	150	125	366	355	140	1,400	200	-	4 x 12	600	560	421
N4 125-315 - 22 kW	150	125	366	355	140	1,400	200	-	4 x 12	600	560	448
N4 125-315 - 30 kW	150	125	366	355	140	1,500	200	550	6 x 12	600	560	515
N4 125-315 - 37 kW	150	125	368	355	140	1,500	200	550	6 x 12	600	560	573
N4 125-400 - 37 kW	150	125	403	400	140	1,500	200	550	6 x 12	600	560	611
N4 125-400 - 45 kW	150	125	423	400	140	1,600	200	600	6 x 16	700	650	691
N4 125-400 - 55 kW	150	125	423	400	140	1,600	200	600	6 x 16	700	650	779
N4 125-400 - 75 kW	150	125	425	400	140	1,700	200	650	6 x 16	700	650	956
N4 150-250 - 15 kW	200	150	346	375	160	1,300	200	-	4 x 12	600	560	367
N4 150-250 - 18.5 kW	200	150	346	375	160	1,400	200	-	4 x 12	600	560	395
N4 150-250 - 22 kW	200	150	366	375	160	1,400	200	-	4 x 12	600	560	430
N4 150-250 - 30 kW	200	150	366	375	160	1,400	200	-	4 x 12	600	560	490
N4 150-315 - 22 kW	200	150	366	400	160	1,500	200	550	6 x 12	700	660	464
N4 150-315 - 30 kW	200	150	366	400	160	1,500	200	550	6 x 12	700	660	524
N4 150-315 - 37 kW	200	150	368	400	160	1,600	200	600	6 x 12	700	660	594
N4 150-315 - 45 kW	200	150	368	400	160	1,600	200	600	6 x 12	700	660	644
N4 150-400 - 45 kW	200	150	423	450	160	1,600	200	600	6 x 16	700	650	717
N4 150-400 - 55 kW	200	150	425	450	160	1,700	200	650	6 x 16	700	650	840
N4 150-400 - 75 kW	200	150	425	450	160	1,800	200	700	6 x 16	700	650	993
N4 150-400 - 90 kW	200	150	447	450	160	1,800	200	700	6 x 16	700	650	1,117
N4 150-500 - 110 kW	200	150	552	525	200	2,100	200	850	6 x 16	900	850	1,665
N4 150-500 - 132 kW	200	150	554	525	200	2,200	200	900	6 x 16	900	850	1,856
N4 150-500 - 160 kW	200	150	554	525	200	2,200	200	900	6 x 16	900	850	1,994
N4 200-315 - 30 kW	250	200	463	450	200	1,600	200	600	6 x 16	800	750	707
N4 200-315 - 37 kW	250	200	463	450	200	1,700	200	650	6 x 16	800	750	755
N4 200-315 - 45 kW	250	200	463	450	200	1,700	200	650	6 x 16	800	750	804
N4 200-315 - 55 kW	250	200	465	450	200	1,800	200	700	6 x 16	800	750	933
N4 200-315 - 75 kW	250	200	467	450	200	1,900	200	750	6 x 16	800	750	1,121
N4 200-400 - 75 kW	250	200	532	500	180	2,000	200	800	6 x 16	800	750	1,203
N4 200-400 - 90 kW	250	200	532	500	180	2,000	200	800	6 x 16	800	750	1,291
N4 200-400 - 110 kW	250	200	532	500	180	2,100	200	850	6 x 16	800	750	1,481
N4 200-400 - 132 kW	250	200	552	500	180	2,200	200	900	6 x 16	800	750	1,641
N4 200-400 - 160 kW	250	200	554	500	180	2,200	200	900	6 x 16	800	750	1,817
N4 200-500 - 132 kW	250	200	554	525	210	2,400	200	1,000	6 x 16	900	850	2,034
N4 200-500 - 160 kW	250	200	574	525	210	2,400	200	1,000	6 x 16	900	850	2,187
N4 200-500 - 185 kW	250	200	574	525	210	2,500	200	1,050	6 x 16	900	850	2,316
N4 200-500 - 200 kW	250	200	574	525	210	2,500	200	1,050	6 x 16	900	850	2,371
N4 200-500 - 250 kW	250	200	594	525	210	2,600	200	1,100	6 x 16	1,000	950	2,759
N4 200-500 - 315 kW	250	200	594	525	210	2,600	200	1,100	6 x 16	1,000	950	2,987

For dimensions not given in the table above, please consult our company.

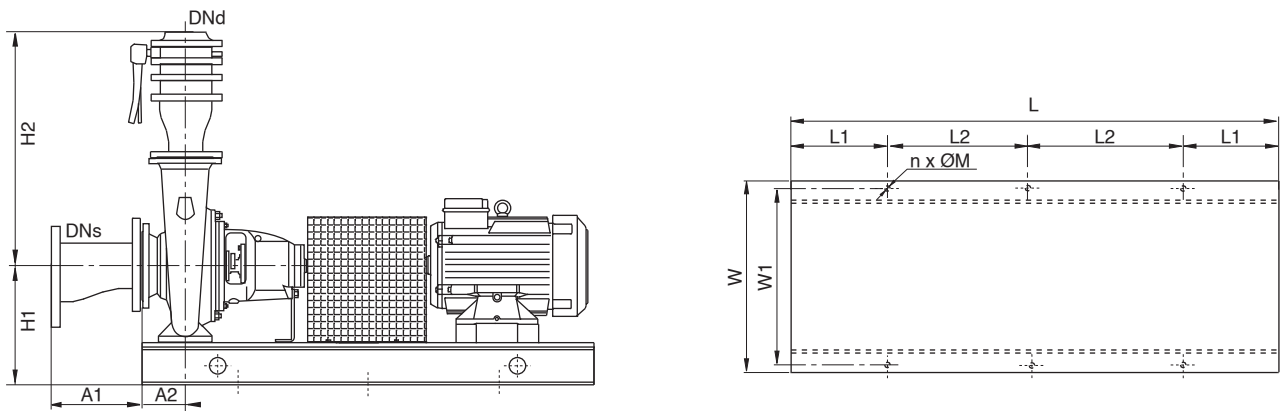
Dimensions and weights of pumping systems with one pump



Pump	DN _s	DN _d	H ₁	H ₂	A ₁	A ₂	L	L ₁	L ₂	n x M	W	W ₁	kg
1-N 32-200 - 5.5 kW	65	40	225	377	170	80	900	200	-	4 x 12	400	360	116
1-N 32-200 - 7.5 kW	65	40	225	377	170	80	900	200	-	4 x 12	400	360	122
1-N 32-200 - 11 kW	65	40	225	377	170	80	1,100	200	-	4 x 12	400	360	192
1-N 32-250 - 7.5 kW	65	40	245	422	170	100	1,000	200	-	4 x 12	400	360	143
1-N 32-250 - 11 kW	65	40	245	422	170	100	1,100	200	-	4 x 12	400	360	209
1-N 32-250 - 15 kW	65	40	245	422	170	100	1,100	200	-	4 x 12	400	360	221
1-N 40-200 - 7.5 kW	80	50	225	397	170	100	1,000	200	-	4 x 12	400	360	135
1-N 40-200 - 11 kW	80	50	225	397	170	100	1,100	200	-	4 x 12	400	360	202
1-N 40-200 - 15 kW	80	50	225	397	170	100	1,100	200	-	4 x 12	400	360	214
1-N 40-250 - 11 kW	80	50	245	442	170	100	1,100	200	-	4 x 12	400	360	217
1-N 40-250 - 15 kW	80	50	245	442	170	100	1,100	200	-	4 x 12	400	360	229
1-N 40-250 - 18.5 kW	80	50	245	442	170	100	1,200	200	-	4 x 12	400	360	249
1-N 40-250 - 22 kW	80	50	245	442	170	100	1,200	200	-	4 x 12	500	460	302
1-N 40-250 - 30 kW	80	50	266	442	170	100	1,300	200	-	4 x 12	500	460	375
1-N 50-200 - 11 kW	80	65	225	455	170	100	1,100	200	-	4 x 12	400	360	207
1-N 50-200 - 15 kW	80	65	225	455	170	100	1,100	200	-	4 x 12	400	360	219
1-N 50-200 - 18.5 kW	80	65	225	455	170	100	1,200	200	-	4 x 12	400	360	239
1-N 50-200 - 22 kW	80	65	245	455	170	100	1,200	200	-	4 x 12	500	460	292
1-N 50-250 - 18.5 kW	80	65	245	480	170	100	1,200	200	-	4 x 12	400	360	255
1-N 50-250 - 22 kW	80	65	245	480	170	100	1,200	200	-	4 x 12	500	460	308
1-N 50-250 - 30 kW	80	65	266	480	170	100	1,300	200	-	4 x 12	500	460	381
1-N 50-250 - 37 kW	80	65	266	480	170	100	1,300	200	-	4 x 12	500	460	403
1-N 65-200 - 18.5 kW	100	80	245	490	185	100	1,200	200	-	4 x 12	400	360	259
1-N 65-200 - 22 kW	100	80	245	490	185	100	1,200	200	-	4 x 12	500	460	311
1-N 65-200 - 30 kW	100	80	266	490	185	100	1,300	200	-	4 x 12	500	460	384
1-N 65-200 - 37 kW	100	80	266	490	185	100	1,300	200	-	4 x 12	500	460	406
1-N 65-250 - 22 kW	100	80	265	515	185	100	1,300	200	-	4 x 12	500	460	347
1-N 65-250 - 30 kW	100	80	266	515	185	100	1,400	200	-	4 x 12	500	460	421
1-N 65-250 - 37 kW	100	80	286	515	185	100	1,400	200	-	4 x 12	500	460	450
1-N 65-250 - 45 kW	100	80	311	515	185	100	1,400	200	-	4 x 12	600	560	542
1-N 65-250 - 55 kW	100	80	338	515	185	100	1,500	200	550	6 x 12	600	560	650
1-N 80-160 - 11 kW	125	100	245	611	215	125	1,100	200	-	4 x 12	400	360	234
1-N 80-160 - 15 kW	125	100	245	611	215	125	1,100	200	-	4 x 12	400	360	246
1-N 80-160 - 18.5 kW	125	100	245	611	215	125	1,200	200	-	4 x 12	400	360	266
1-N 80-160 - 22 kW	125	100	245	611	215	125	1,200	200	-	4 x 12	500	460	319
1-N 80-200 - 22 kW	125	100	245	636	215	125	1,300	200	-	4 x 12	500	460	345
1-N 80-200 - 30 kW	125	100	266	636	215	125	1,400	200	-	4 x 12	500	460	419
1-N 80-200 - 37 kW	125	100	286	636	215	125	1,400	200	-	4 x 12	500	460	448
1-N 80-200 - 45 kW	125	100	311	636	215	125	1,500	200	550	6 x 12	600	560	546
1-N 80-250 - 37 kW	125	100	286	666	215	125	1,400	200	-	4 x 12	500	460	467
1-N 80-250 - 45 kW	125	100	311	666	215	125	1,500	200	550	6 x 12	600	560	564
1-N 80-250 - 55 kW	125	100	338	666	215	125	1,600	200	600	6 x 12	600	560	674
1-N 80-250 - 75 kW	125	100	390	666	215	125	1,600	200	600	6 x 16	700	650	886

For dimensions not given in the table above, please consult our company.

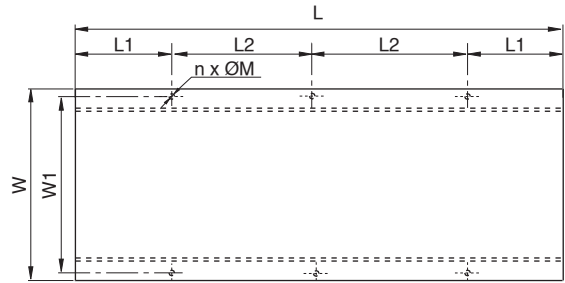
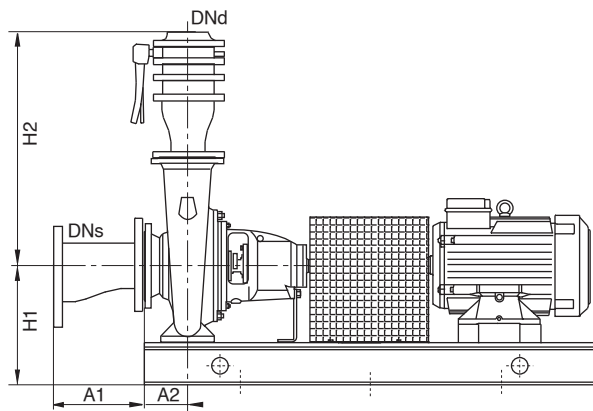
Dimensions and weights of pumping systems with one pump



Pump	DNs	DNd	H1	H2	A1	A2	L	L1	L2	n x M	W	W1	kg
1-N 100-200 - 30 kW	150	125	286	710	232	125	1,400	200	-	4 x 12	500	460	469
1-N 100-200 - 37 kW	150	125	286	710	232	125	1,400	200	-	4 x 12	500	460	491
1-N 100-200 - 45 kW	150	125	313	710	232	125	1,500	200	550	6 x 12	600	560	609
1-N 100-200 - 55 kW	150	125	338	710	232	125	1,600	200	600	6 x 12	600	560	698
1-N 100-250 - 45 kW	150	125	313	710	232	140	1,500	200	550	6 x 12	600	560	613
1-N 100-250 - 55 kW	150	125	338	710	232	140	1,600	200	600	6 x 12	600	560	703
1-N 100-250 - 75 kW	150	125	390	710	232	140	1,600	200	600	6 x 16	700	650	915
1-N 100-250 - 90 kW	150	125	390	710	232	140	1,700	200	650	6 x 16	700	650	980
1-N 100-250 - 110 kW	150	125	447	710	232	140	1,800	200	700	6 x 16	800	750	1,266
1-N4 32-200 - 0.55 kW	65	40	225	377	170	80	800	150	-	4 x 12	400	360	84
1-N4 32-200 - 0.75 kW	65	40	225	377	170	80	800	150	-	4 x 12	400	360	86
1-N4 32-200 - 1.1 kW	65	40	225	377	170	80	800	150	-	4 x 12	400	360	89
1-N4 32-250 - 1.1 kW	65	40	245	422	170	100	800	150	-	4 x 12	400	360	105
1-N4 32-250 - 1.5 kW	65	40	245	422	170	100	800	150	-	4 x 12	400	360	107
1-N4 32-250 - 2.2 kW	65	40	245	422	170	100	900	200	-	4 x 12	400	360	115
1-N4 32-250 - 3 kW	65	40	245	422	170	100	900	200	-	4 x 12	400	360	119
1-N4 40-200 - 0.75 kW	80	50	225	397	170	100	800	150	-	4 x 12	400	360	95
1-N4 40-200 - 1.1 kW	80	50	225	397	170	100	800	150	-	4 x 12	400	360	98
1-N4 40-200 - 1.5 kW	80	50	225	397	170	100	800	150	-	4 x 12	400	360	100
1-N4 40-200 - 2.2 kW	80	50	225	397	170	100	900	200	-	4 x 12	400	360	108
1-N4 40-250 - 1.1 kW	80	50	245	442	170	100	800	150	-	4 x 12	400	360	113
1-N4 40-250 - 1.5 kW	80	50	245	442	170	100	800	150	-	4 x 12	400	360	116
1-N4 40-250 - 2.2 kW	80	50	245	442	170	100	900	200	-	4 x 12	400	360	123
1-N4 40-250 - 3 kW	80	50	245	442	170	100	900	200	-	4 x 12	400	360	127
1-N4 40-315 - 2.2 kW	80	50	265	467	170	100	900	200	-	4 x 12	500	460	129
1-N4 40-315 - 3 kW	80	50	265	467	170	100	900	200	-	4 x 12	500	460	133
1-N4 40-315 - 4 kW	80	50	265	467	170	100	900	200	-	4 x 12	500	460	142
1-N4 40-315 - 5.5 kW	80	50	265	467	170	100	1,000	200	-	4 x 12	500	460	157
1-N4 50-200 - 1.1 kW	80	65	225	455	170	100	800	150	-	4 x 12	400	360	103
1-N4 50-200 - 1.5 kW	80	65	225	455	170	100	800	150	-	4 x 12	400	360	105
1-N4 50-200 - 2.2 kW	80	65	225	455	170	100	900	200	-	4 x 12	400	360	113
1-N4 50-200 - 3 kW	80	65	225	455	170	100	900	200	-	4 x 12	400	360	117
1-N4 50-250 - 2.2 kW	80	65	245	480	170	100	900	200	-	4 x 12	400	360	130
1-N4 50-250 - 3 kW	80	65	245	480	170	100	900	200	-	4 x 12	400	360	133
1-N4 50-250 - 4 kW	80	65	245	480	170	100	900	200	-	4 x 12	400	360	142
1-N4 50-250 - 5.5 kW	80	65	245	480	170	100	1,000	200	-	4 x 12	400	360	157
1-N4 50-315 - 4 kW	100	65	290	535	185	125	1,000	200	-	4 x 12	500	460	197
1-N4 50-315 - 5.5 kW	100	65	290	535	185	125	1,100	200	-	4 x 12	500	460	213
1-N4 50-315 - 7.5 kW	100	65	290	535	185	125	1,100	200	-	4 x 12	500	460	222
1-N4 50-315 - 11 kW	100	65	290	535	185	125	1,200	200	-	4 x 12	500	460	293
1-N4 65-200 - 1.5 kW	100	80	245	490	185	100	800	150	-	4 x 12	400	360	125
1-N4 65-200 - 2.2 kW	100	80	245	490	185	100	900	200	-	4 x 12	400	360	133
1-N4 65-200 - 3 kW	100	80	245	490	185	100	900	200	-	4 x 12	400	360	137
1-N4 65-200 - 4 kW	100	80	245	490	185	100	900	200	-	4 x 12	400	360	145

For dimensions not given in the table above, please consult our company.

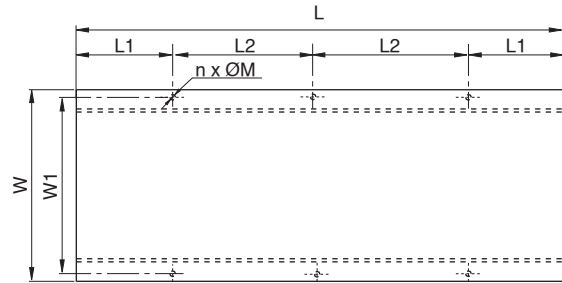
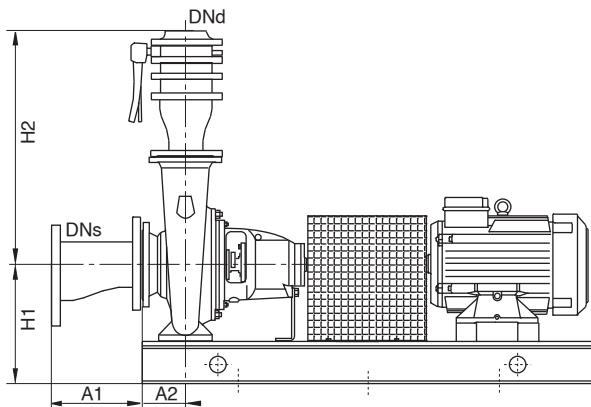
Dimensions and weights of pumping systems with one pump



Pump	DNs	DNd	H1	H2	A1	A2	L	L1	L2	n x M	W	W1	kg
1-N4 65-250 - 3 kW	100	80	265	515	185	100	1,000	200	-	4 x 12	500	460	178
1-N4 65-250 - 4 kW	100	80	265	515	185	100	1,000	200	-	4 x 12	500	460	186
1-N4 65-250 - 5.5 kW	100	80	265	515	185	100	1,100	200	-	4 x 12	500	460	202
1-N4 65-250 - 7.5 kW	100	80	265	515	185	100	1,100	200	-	4 x 12	500	460	211
1-N4 65-315 - 5.5 kW	100	80	290	545	185	125	1,100	200	-	4 x 12	500	460	222
1-N4 65-315 - 7.5 kW	100	80	290	545	185	125	1,100	200	-	4 x 12	500	460	230
1-N4 65-315 - 11 kW	100	80	290	545	185	125	1,200	200	-	4 x 12	500	460	302
1-N4 65-315 - 15 kW	100	80	290	545	185	125	1,300	200	-	4 x 12	500	460	341
1-N4 65-400 - 11 kW	125	80	315	620	215	125	1,200	200	-	4 x 12	500	460	316
1-N4 65-400 - 15 kW	125	80	315	620	215	125	1,300	200	-	4 x 12	500	460	355
1-N4 65-400 - 18.5 kW	125	80	316	620	215	125	1,300	200	-	4 x 12	500	460	384
1-N4 65-400 - 22 kW	125	80	316	620	215	125	1,400	200	-	4 x 12	500	460	416
1-N4 65-400 - 30 kW	125	80	336	620	215	125	1,400	200	-	4 x 12	600	560	494
1-N4 80-200 - 3 kW	125	100	245	636	215	125	1,000	200	-	4 x 12	500	460	175
1-N4 80-200 - 4 kW	125	100	245	636	215	125	1,000	200	-	4 x 12	500	460	184
1-N4 80-200 - 5.5 kW	125	100	245	636	215	125	1,100	200	-	4 x 12	500	460	199
1-N4 80-250 - 4 kW	125	100	265	666	215	125	1,000	200	-	4 x 12	500	460	203
1-N4 80-250 - 5.5 kW	125	100	265	666	215	125	1,100	200	-	4 x 12	500	460	218
1-N4 80-250 - 7.5 kW	125	100	265	666	215	125	1,100	200	-	4 x 12	500	460	227
1-N4 80-250 - 11 kW	125	100	265	666	215	125	1,200	200	-	4 x 12	500	460	298
1-N4 80-315 - 7.5 kW	125	100	315	701	215	125	1,100	200	-	4 x 12	500	460	249
1-N4 80-315 - 11 kW	125	100	315	701	215	125	1,200	200	-	4 x 12	500	460	320
1-N4 80-315 - 15 kW	125	100	315	701	215	125	1,300	200	-	4 x 12	500	460	359
1-N4 80-315 - 18.5 kW	125	100	316	701	215	125	1,300	200	-	4 x 12	500	460	389
1-N4 80-400 - 22 kW	125	100	366	741	215	125	1,400	200	-	4 x 12	600	560	489
1-N4 80-400 - 30 kW	125	100	366	741	215	125	1,500	200	550	6 x 12	600	560	555
1-N4 80-400 - 37 kW	125	100	368	741	215	125	1,500	200	550	6 x 12	600	560	614
1-N4 100-200 - 3 kW	150	125	265	710	232	125	1,000	200	-	4 x 12	500	460	219
1-N4 100-200 - 4 kW	150	125	265	710	232	125	1,000	200	-	4 x 12	500	460	227
1-N4 100-200 - 5.5 kW	150	125	265	710	232	125	1,100	200	-	4 x 12	500	460	243
1-N4 100-200 - 7.5 kW	150	125	265	710	232	125	1,100	200	-	4 x 12	500	460	252
1-N4 100-250 - 5.5 kW	150	125	290	710	232	140	1,100	200	-	4 x 12	500	460	247
1-N4 100-250 - 7.5 kW	150	125	290	710	232	140	1,200	200	-	4 x 12	500	460	260
1-N4 100-250 - 11 kW	150	125	290	710	232	140	1,300	200	-	4 x 12	500	460	331
1-N4 100-250 - 15 kW	150	125	290	710	232	140	1,300	200	-	4 x 12	500	460	366
1-N4 100-315 - 11 kW	150	125	315	745	232	140	1,300	200	-	4 x 12	500	460	358
1-N4 100-315 - 15 kW	150	125	316	745	232	140	1,300	200	-	4 x 12	500	460	400
1-N4 100-315 - 18.5 kW	150	125	316	745	232	140	1,300	200	-	4 x 12	500	460	422
1-N4 100-315 - 22 kW	150	125	316	745	232	140	1,400	200	-	4 x 12	500	460	454
1-N4 100-315 - 30 kW	150	125	336	745	232	140	1,400	200	-	4 x 12	500	460	522
1-N4 100-400 - 22 kW	150	125	366	785	232	140	1,400	200	-	4 x 12	600	560	516
1-N4 100-400 - 30 kW	150	125	366	785	232	140	1,500	200	550	6 x 12	600	560	582
1-N4 100-400 - 37 kW	150	125	368	785	232	140	1,500	200	550	6 x 12	600	560	641
1-N4 100-400 - 45 kW	150	125	368	785	232	140	1,600	200	600	6 x 12	600	560	697
1-N4 100-400 - 55 kW	150	125	388	785	232	140	1,600	200	600	6 x 16	700	650	808

For dimensions not given in the table above, please consult our company.

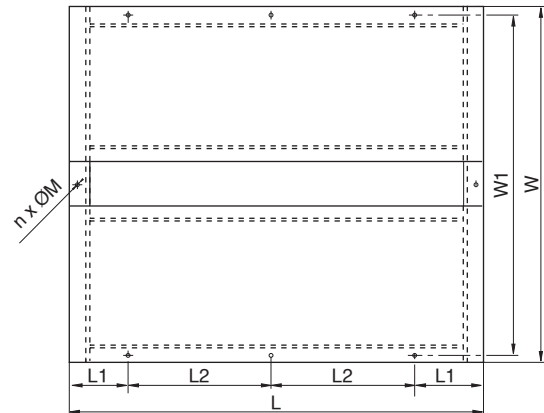
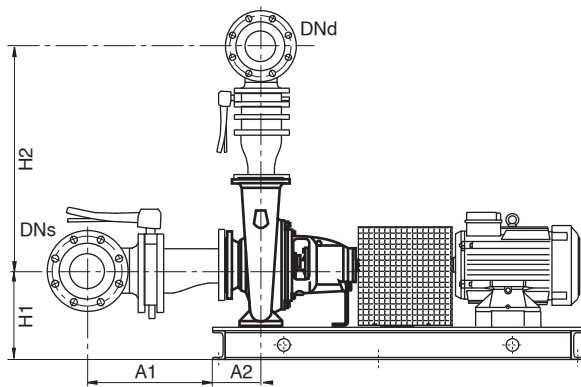
Dimensions and weights of pumping systems with one pump



Pump	DNs	DNd	H1	H2	A1	A2	L	L1	L2	n x M	W	W1	kg
1-N4 125-250 - 11 kW	200	150	315	837	252	140	1,300	200	-	4 x 12	500	460	364
1-N4 125-250 - 15 kW	200	150	315	837	252	140	1,300	200	-	4 x 12	500	460	400
1-N4 125-250 - 18.5 kW	200	150	316	837	252	140	1,300	200	-	4 x 12	500	460	429
1-N4 125-250 - 22 kW	200	150	316	837	252	140	1,400	200	-	4 x 12	500	460	461
1-N4 125-315 - 15 kW	200	150	346	837	252	140	1,400	200	-	4 x 12	600	560	472
1-N4 125-315 - 18.5 kW	200	150	366	837	252	140	1,400	200	-	4 x 12	600	560	502
1-N4 125-315 - 22 kW	200	150	366	837	252	140	1,400	200	-	4 x 12	600	560	529
1-N4 125-315 - 30 kW	200	150	366	837	252	140	1,500	200	550	6 x 12	600	560	596
1-N4 125-315 - 37 kW	200	150	368	837	252	140	1,500	200	550	6 x 12	600	560	654
1-N4 125-400 - 37 kW	200	150	403	882	252	140	1,500	200	550	6 x 12	600	560	692
1-N4 125-400 - 45 kW	200	150	423	882	252	140	1,600	200	600	6 x 16	700	650	772
1-N4 125-400 - 55 kW	200	150	423	882	252	140	1,600	200	600	6 x 16	700	650	860
1-N4 125-400 - 75 kW	200	150	425	882	252	140	1,700	200	650	6 x 16	700	650	1,037
1-N4 150-250 - 15 kW	250	200	346	943	286	160	1,300	200	-	4 x 12	600	560	487
1-N4 150-250 - 18.5 kW	250	200	346	943	286	160	1,400	200	-	4 x 12	600	560	515
1-N4 150-250 - 22 kW	250	200	366	943	286	160	1,400	200	-	4 x 12	600	560	550
1-N4 150-250 - 30 kW	250	200	366	943	286	160	1,400	200	-	4 x 12	600	560	610
1-N4 150-315 - 22 kW	250	200	366	968	286	160	1,500	200	550	6 x 12	700	660	584
1-N4 150-315 - 30 kW	250	200	366	968	286	160	1,500	200	550	6 x 12	700	660	644
1-N4 150-315 - 37 kW	250	200	368	968	286	160	1,600	200	600	6 x 12	700	660	714
1-N4 150-315 - 45 kW	250	200	368	968	286	160	1,600	200	600	6 x 12	700	660	764
1-N4 150-400 - 45 kW	250	200	423	1,018	286	160	1,600	200	600	6 x 16	700	650	837
1-N4 150-400 - 55 kW	250	200	425	1,018	286	160	1,700	200	650	6 x 16	700	650	960
1-N4 150-400 - 75 kW	250	200	425	1,018	286	160	1,800	200	700	6 x 16	700	650	1,113
1-N4 150-400 - 90 kW	250	200	447	1,018	286	160	1,800	200	700	6 x 16	700	650	1,237
1-N4 150-500 - 110 kW	250	200	552	1,093	286	200	2,100	200	850	6 x 16	900	850	1,785
1-N4 150-500 - 132 kW	250	200	554	1,093	286	200	2,200	200	900	6 x 16	900	850	1,976
1-N4 150-500 - 160 kW	250	200	554	1,093	286	200	2,200	200	900	6 x 16	900	850	2,114
1-N4 200-315 - 30 kW	300	250	463	1,091	320	200	1,600	200	600	6 x 16	800	750	857
1-N4 200-315 - 37 kW	300	250	463	1,091	320	200	1,700	200	650	6 x 16	800	750	905
1-N4 200-315 - 45 kW	300	250	463	1,091	320	200	1,700	200	650	6 x 16	800	750	954
1-N4 200-315 - 55 kW	300	250	465	1,091	320	200	1,800	200	700	6 x 16	800	750	1,083
1-N4 200-315 - 75 kW	300	250	467	1,091	320	200	1,900	200	750	6 x 16	800	750	1,271
1-N4 200-400 - 75 kW	300	250	532	1,141	320	180	2,000	200	800	6 x 16	800	750	1,353
1-N4 200-400 - 90 kW	300	250	532	1,141	320	180	2,000	200	800	6 x 16	800	750	1,441
1-N4 200-400 - 110 kW	300	250	532	1,141	320	180	2,100	200	850	6 x 16	800	750	1,631
1-N4 200-400 - 132 kW	300	250	552	1,141	320	180	2,200	200	900	6 x 16	800	750	1,791
1-N4 200-400 - 160 kW	300	250	554	1,141	320	180	2,200	200	900	6 x 16	800	750	1,967
1-N4 200-500 - 132 kW	300	250	554	1,166	320	210	2,400	200	1,000	6 x 16	900	850	2,184
1-N4 200-500 - 160 kW	300	250	574	1,166	320	210	2,400	200	1,000	6 x 16	900	850	2,337
1-N4 200-500 - 185 kW	300	250	574	1,166	320	210	2,500	200	1,050	6 x 16	900	850	2,466
1-N4 200-500 - 200 kW	300	250	574	1,166	320	210	2,500	200	1,050	6 x 16	900	850	2,521
1-N4 200-500 - 250 kW	300	250	594	1,166	320	210	2,600	200	1,100	6 x 16	1,000	950	2,909
1-N4 200-500 - 315 kW	300	250	594	1,166	320	210	2,600	200	1,100	6 x 16	1,000	950	3,137

For dimensions not given in the table above, please consult our company.

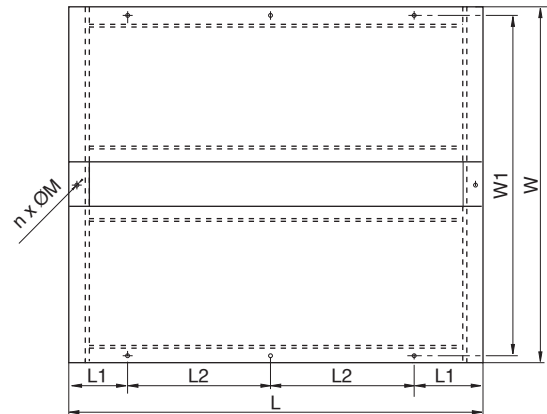
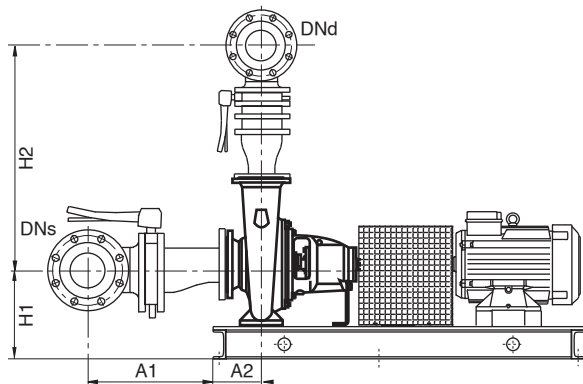
Dimensions and weights of pumping systems with two pumps



Pump	DNs	DNd	H1	H2	A1	A2	L	L1	L2	n x M	W	W1	kg
2-N 32-200 - 5.5 kW	100	65	225	510	365	80	900	200	-	8 x 12	1,000	960	249
2-N 32-200 - 7.5 kW	100	65	225	510	365	80	900	200	-	8 x 12	1,000	960	263
2-N 32-200 - 11 kW	100	65	225	510	365	80	1,100	200	-	8 x 12	1,000	960	413
2-N 32-250 - 7.5 kW	100	65	245	555	365	100	1,000	200	-	8 x 12	1,000	960	306
2-N 32-250 - 11 kW	100	65	245	555	365	100	1,100	200	-	8 x 12	1,000	960	449
2-N 32-250 - 15 kW	100	65	245	555	365	100	1,100	200	-	8 x 12	1,000	960	475
2-N 40-200 - 7.5 kW	125	80	225	537	383	100	1,000	200	-	8 x 12	1,000	960	291
2-N 40-200 - 11 kW	125	80	225	537	383	100	1,100	200	-	8 x 12	1,000	960	433
2-N 40-200 - 15 kW	125	80	225	537	383	100	1,100	200	-	8 x 12	1,000	960	459
2-N 40-250 - 11 kW	125	80	245	582	383	100	1,100	200	-	8 x 12	1,000	960	467
2-N 40-250 - 15 kW	125	80	245	582	383	100	1,100	200	-	8 x 12	1,000	960	493
2-N 40-250 - 18.5 kW	125	80	245	582	383	100	1,200	200	-	8 x 12	1,000	960	536
2-N 40-250 - 22 kW	125	80	245	582	383	100	1,200	200	-	8 x 12	1,300	1,260	649
2-N 40-250 - 30 kW	125	80	266	582	383	100	1,300	200	-	8 x 12	1,300	1,260	806
2-N 50-200 - 11 kW	125	100	225	605	383	100	1,100	200	-	8 x 12	1,000	960	445
2-N 50-200 - 15 kW	125	100	225	605	383	100	1,100	200	-	8 x 12	1,000	960	471
2-N 50-200 - 18.5 kW	125	100	225	605	383	100	1,200	200	-	8 x 12	1,000	960	514
2-N 50-200 - 22 kW	125	100	245	605	383	100	1,200	200	-	8 x 12	1,300	1,260	627
2-N 50-250 - 18.5 kW	125	100	245	630	383	100	1,200	200	-	8 x 12	1,000	960	549
2-N 50-250 - 22 kW	125	100	245	630	383	100	1,200	200	-	8 x 12	1,300	1,260	663
2-N 50-250 - 30 kW	125	100	266	630	383	100	1,300	200	-	8 x 12	1,300	1,260	819
2-N 50-250 - 37 kW	125	100	266	630	383	100	1,300	200	-	8 x 12	1,300	1,260	867
2-N 65-200 - 18.5 kW	150	125	245	653	411	100	1,200	200	-	8 x 12	1,000	960	556
2-N 65-200 - 22 kW	150	125	245	653	411	100	1,200	200	-	8 x 12	1,300	1,260	670
2-N 65-200 - 30 kW	150	125	266	653	411	100	1,300	200	-	8 x 12	1,300	1,260	826
2-N 65-200 - 37 kW	150	125	266	653	411	100	1,300	200	-	8 x 12	1,300	1,260	874
2-N 65-250 - 22 kW	150	125	265	678	411	100	1,300	200	-	8 x 12	1,300	1,260	747
2-N 65-250 - 30 kW	150	125	266	678	411	100	1,400	200	-	8 x 12	1,300	1,260	905
2-N 65-250 - 37 kW	150	125	286	678	411	100	1,400	200	-	8 x 12	1,300	1,260	968
2-N 65-250 - 45 kW	150	125	311	678	411	100	1,400	200	-	8 x 12	1,400	1,360	1,165
2-N 65-250 - 55 kW	150	125	338	678	411	100	1,500	200	550	12 x 12	1,400	1,360	1,398
2-N 80-160 - 11 kW	200	150	245	786	470	125	1,100	200	-	8 x 12	1,000	960	503
2-N 80-160 - 15 kW	200	150	245	786	470	125	1,100	200	-	8 x 12	1,000	960	529
2-N 80-160 - 18.5 kW	200	150	245	786	470	125	1,200	200	-	8 x 12	1,000	960	572
2-N 80-160 - 22 kW	200	150	245	786	470	125	1,200	200	-	8 x 12	1,300	1,260	686
2-N 80-200 - 22 kW	200	150	245	811	470	125	1,300	200	-	8 x 12	1,300	1,260	742
2-N 80-200 - 30 kW	200	150	266	811	470	125	1,400	200	-	8 x 12	1,300	1,260	900
2-N 80-200 - 37 kW	200	150	286	811	470	125	1,400	200	-	8 x 12	1,300	1,260	963
2-N 80-200 - 45 kW	200	150	311	811	470	125	1,500	200	550	12 x 12	1,400	1,360	1,173
2-N 80-250 - 37 kW	200	150	286	841	470	125	1,400	200	-	8 x 12	1,300	1,260	1,003
2-N 80-250 - 45 kW	200	150	311	841	470	125	1,500	200	550	12 x 12	1,400	1,360	1,213
2-N 80-250 - 55 kW	200	150	338	841	470	125	1,600	200	600	12 x 12	1,400	1,360	1,449
2-N 80-250 - 75 kW	200	150	390	841	470	125	1,600	200	600	12 x 16	1,700	1,650	1,905

For dimensions not given in the table above, please consult our company.

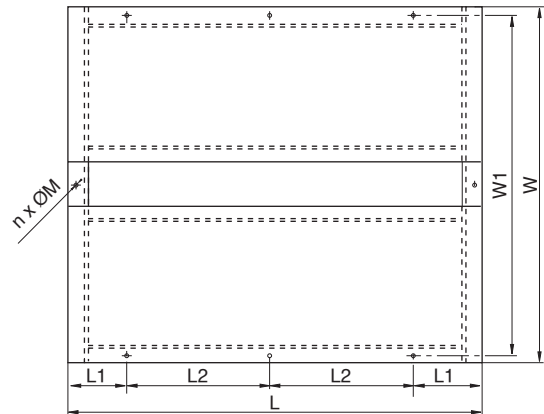
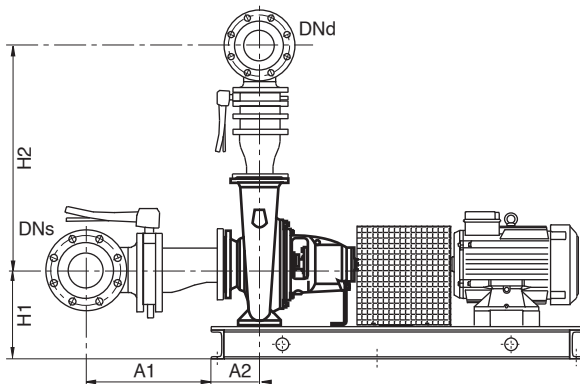
Dimensions and weights of pumping systems with two pumps



Pump	DNs	DNd	H1	H2	A1	A2	L	L1	L2	n x M	W	W1	kg
2-N 100-200 - 30 kW	250	200	286	910	517	125	1,400	200	-	8 x 12	1,300	1,260	1,009
2-N 100-200 - 37 kW	250	200	286	910	517	125	1,400	200	-	8 x 12	1,300	1,260	1,056
2-N 100-200 - 45 kW	250	200	313	910	517	125	1,500	200	550	12 x 12	1,400	1,360	1,309
2-N 100-200 - 55 kW	250	200	338	910	517	125	1,600	200	600	12 x 12	1,400	1,360	1,501
2-N 100-250 - 45 kW	250	200	313	910	517	140	1,500	200	550	12 x 12	1,400	1,360	1,318
2-N 100-250 - 55 kW	250	200	338	910	517	140	1,600	200	600	12 x 12	1,400	1,360	1,511
2-N 100-250 - 75 kW	250	200	390	910	517	140	1,600	200	600	12 x 16	1,700	1,650	1,967
2-N 100-250 - 90 kW	250	200	390	910	517	140	1,700	200	650	12 x 16	1,700	1,650	2,107
2-N 100-250 - 110 kW	250	200	447	910	517	140	1,800	200	700	12 x 16	1,800	1,750	2,722
2-N4 32-200 - 0.55 kW	100	65	225	510	365	80	800	150	-	8 x 12	1,000	960	181
2-N4 32-200 - 0.75 kW	100	65	225	510	365	80	800	150	-	8 x 12	1,000	960	184
2-N4 32-200 - 1.1 kW	100	65	225	510	365	80	800	150	-	8 x 12	1,000	960	191
2-N4 32-250 - 1.1 kW	100	65	245	555	365	100	800	150	-	8 x 12	1,000	960	226
2-N4 32-250 - 1.5 kW	100	65	245	555	365	100	800	150	-	8 x 12	1,000	960	231
2-N4 32-250 - 2.2 kW	100	65	245	555	365	100	900	200	-	8 x 12	1,000	960	247
2-N4 32-250 - 3 kW	100	65	245	555	365	100	900	200	-	8 x 12	1,000	960	256
2-N4 40-200 - 0.75 kW	125	80	225	537	383	100	800	150	-	8 x 12	1,000	960	204
2-N4 40-200 - 1.1 kW	125	80	225	537	383	100	800	150	-	8 x 12	1,000	960	211
2-N4 40-200 - 1.5 kW	125	80	225	537	383	100	800	150	-	8 x 12	1,000	960	216
2-N4 40-200 - 2.2 kW	125	80	225	537	383	100	900	200	-	8 x 12	1,000	960	232
2-N4 40-250 - 1.1 kW	125	80	245	582	383	100	800	150	-	8 x 12	1,000	960	244
2-N4 40-250 - 1.5 kW	125	80	245	582	383	100	800	150	-	8 x 12	1,000	960	249
2-N4 40-250 - 2.2 kW	125	80	245	582	383	100	900	200	-	8 x 12	1,000	960	265
2-N4 40-250 - 3 kW	125	80	245	582	383	100	900	200	-	8 x 12	1,000	960	273
2-N4 40-315 - 2.2 kW	125	80	265	607	383	100	900	200	-	8 x 12	1,300	1,260	278
2-N4 40-315 - 3 kW	125	80	265	607	383	100	900	200	-	8 x 12	1,300	1,260	286
2-N4 40-315 - 4 kW	125	80	265	607	383	100	900	200	-	8 x 12	1,300	1,260	305
2-N4 40-315 - 5.5 kW	125	80	265	607	383	100	1,000	200	-	8 x 12	1,300	1,260	338
2-N4 50-200 - 1.1 kW	125	100	225	605	383	100	800	150	-	8 x 12	1,000	960	222
2-N4 50-200 - 1.5 kW	125	100	225	605	383	100	800	150	-	8 x 12	1,000	960	227
2-N4 50-200 - 2.2 kW	125	100	225	605	383	100	900	200	-	8 x 12	1,000	960	243
2-N4 50-200 - 3 kW	125	100	225	605	383	100	900	200	-	8 x 12	1,000	960	251
2-N4 50-250 - 2.2 kW	125	100	245	630	383	100	900	200	-	8 x 12	1,000	960	279
2-N4 50-250 - 3 kW	125	100	245	630	383	100	900	200	-	8 x 12	1,000	960	287
2-N4 50-250 - 4 kW	125	100	245	630	383	100	900	200	-	8 x 12	1,000	960	306
2-N4 50-250 - 5.5 kW	125	100	245	630	383	100	1,000	200	-	8 x 12	1,000	960	338
2-N4 50-315 - 4 kW	150	100	290	685	411	125	1,000	200	-	8 x 12	1,300	1,260	424
2-N4 50-315 - 5.5 kW	150	100	290	685	411	125	1,100	200	-	8 x 12	1,300	1,260	457
2-N4 50-315 - 7.5 kW	150	100	290	685	411	125	1,100	200	-	8 x 12	1,300	1,260	476
2-N4 50-315 - 11 kW	150	100	290	685	411	125	1,200	200	-	8 x 12	1,300	1,260	629
2-N4 65-200 - 1.5 kW	150	125	245	653	411	100	800	150	-	8 x 12	1,000	960	269
2-N4 65-200 - 2.2 kW	150	125	245	653	411	100	900	200	-	8 x 12	1,000	960	286
2-N4 65-200 - 3 kW	150	125	245	653	411	100	900	200	-	8 x 12	1,000	960	294
2-N4 65-200 - 4 kW	150	125	245	653	411	100	900	200	-	8 x 12	1,000	960	312

For dimensions not given in the table above, please consult our company.

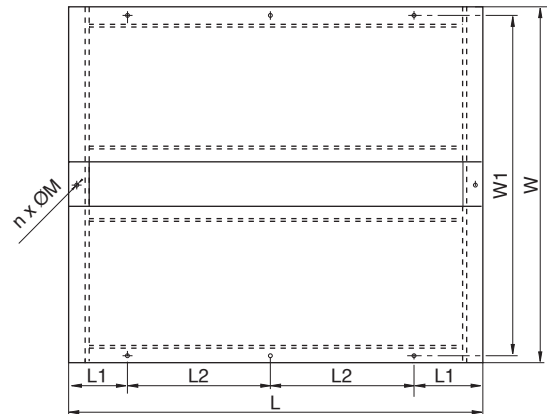
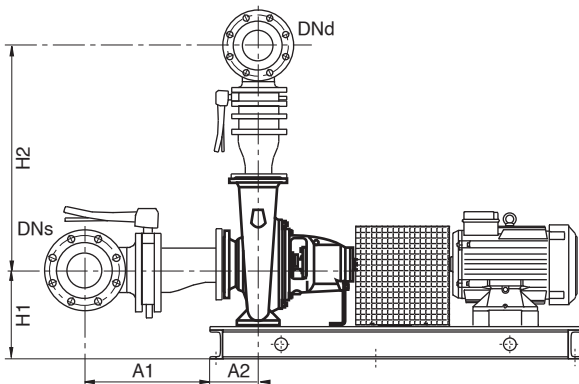
Dimensions and weights of pumping systems with two pumps



Pump	DNs	DNd	H1	H2	A1	A2	L	L1	L2	n x M	W	W1	kg
2-N4 65-250 - 3 kW	150	125	265	678	411	100	1,000	200	-	8 x 12	1,300	1,260	382
2-N4 65-250 - 4 kW	150	125	265	678	411	100	1,000	200	-	8 x 12	1,300	1,260	401
2-N4 65-250 - 5.5 kW	150	125	265	678	411	100	1,100	200	-	8 x 12	1,300	1,260	434
2-N4 65-250 - 7.5 kW	150	125	265	678	411	100	1,100	200	-	8 x 12	1,300	1,260	453
2-N4 65-315 - 5.5 kW	150	125	290	708	411	125	1,100	200	-	8 x 12	1,300	1,260	476
2-N4 65-315 - 7.5 kW	150	125	290	708	411	125	1,100	200	-	8 x 12	1,300	1,260	495
2-N4 65-315 - 11 kW	150	125	290	708	411	125	1,200	200	-	8 x 12	1,300	1,260	648
2-N4 65-315 - 15 kW	150	125	290	708	411	125	1,300	200	-	8 x 12	1,300	1,260	733
2-N4 65-400 - 11 kW	200	125	315	783	470	125	1,200	200	-	8 x 12	1,300	1,260	679
2-N4 65-400 - 15 kW	200	125	315	783	470	125	1,300	200	-	8 x 12	1,300	1,260	763
2-N4 65-400 - 18.5 kW	200	125	316	783	470	125	1,300	200	-	8 x 12	1,300	1,260	826
2-N4 65-400 - 22 kW	200	125	316	783	470	125	1,400	200	-	8 x 12	1,300	1,260	895
2-N4 65-400 - 30 kW	200	125	336	783	470	125	1,400	200	-	8 x 12	1,400	1,360	1,061
2-N4 80-160 - 1.5 kW	200	150	245	786	470	125	900	200	-	8 x 12	1,000	960	293
2-N4 80-160 - 2.2 kW	200	150	245	786	470	125	900	200	-	8 x 12	1,000	960	302
2-N4 80-160 - 3 kW	200	150	245	786	470	125	900	200	-	8 x 12	1,000	960	310
2-N4 80-200 - 3 kW	200	150	245	811	470	125	1,000	200	-	8 x 12	1,300	1,260	377
2-N4 80-200 - 4 kW	200	150	245	811	470	125	1,000	200	-	8 x 12	1,300	1,260	396
2-N4 80-200 - 5.5 kW	200	150	245	811	470	125	1,100	200	-	8 x 12	1,300	1,260	429
2-N4 80-250 - 4 kW	200	150	265	841	470	125	1,000	200	-	8 x 12	1,300	1,260	436
2-N4 80-250 - 5.5 kW	200	150	265	841	470	125	1,100	200	-	8 x 12	1,300	1,260	469
2-N4 80-250 - 7.5 kW	200	150	265	841	470	125	1,100	200	-	8 x 12	1,300	1,260	488
2-N4 80-250 - 11 kW	200	150	265	841	470	125	1,200	200	-	8 x 12	1,300	1,260	641
2-N4 80-315 - 7.5 kW	200	150	315	876	470	125	1,100	200	-	8 x 12	1,300	1,260	535
2-N4 80-315 - 11 kW	200	150	315	876	470	125	1,200	200	-	8 x 12	1,300	1,260	688
2-N4 80-315 - 15 kW	200	150	315	876	470	125	1,300	200	-	8 x 12	1,300	1,260	773
2-N4 80-315 - 18.5 kW	200	150	316	876	470	125	1,300	200	-	8 x 12	1,300	1,260	836
2-N4 80-400 - 22 kW	200	150	366	916	470	125	1,400	200	-	8 x 12	1,400	1,360	1,052
2-N4 80-400 - 30 kW	200	150	366	916	470	125	1,500	200	550	12 x 12	1,400	1,360	1,194
2-N4 80-400 - 37 kW	200	150	368	916	470	125	1,500	200	550	12 x 12	1,400	1,360	1,320
2-N4 100-200 - 3 kW	250	200	265	910	517	125	1,000	200	-	8 x 12	1,300	1,260	470
2-N4 100-200 - 4 kW	250	200	265	910	517	125	1,000	200	-	8 x 12	1,300	1,260	489
2-N4 100-200 - 5.5 kW	250	200	265	910	517	125	1,100	200	-	8 x 12	1,300	1,260	522
2-N4 100-200 - 7.5 kW	250	200	265	910	517	125	1,100	200	-	8 x 12	1,300	1,260	541
2-N4 100-250 - 5.5 kW	250	200	290	910	517	140	1,100	200	-	8 x 12	1,300	1,260	531
2-N4 100-250 - 7.5 kW	250	200	290	910	517	140	1,200	200	-	8 x 12	1,300	1,260	559
2-N4 100-250 - 11 kW	250	200	290	910	517	140	1,300	200	-	8 x 12	1,300	1,260	712
2-N4 100-250 - 15 kW	250	200	290	910	517	140	1,300	200	-	8 x 12	1,300	1,260	788
2-N4 100-315 - 11 kW	250	200	315	945	517	140	1,300	200	-	8 x 12	1,300	1,260	769
2-N4 100-315 - 15 kW	250	200	316	945	517	140	1,300	200	-	8 x 12	1,300	1,260	860
2-N4 100-315 - 18.5 kW	250	200	316	945	517	140	1,300	200	-	8 x 12	1,300	1,260	907
2-N4 100-315 - 22 kW	250	200	316	945	517	140	1,400	200	-	8 x 12	1,300	1,260	977
2-N4 100-315 - 30 kW	250	200	336	945	517	140	1,400	200	-	8 x 12	1,300	1,260	1,122

For dimensions not given in the table above, please consult our company.

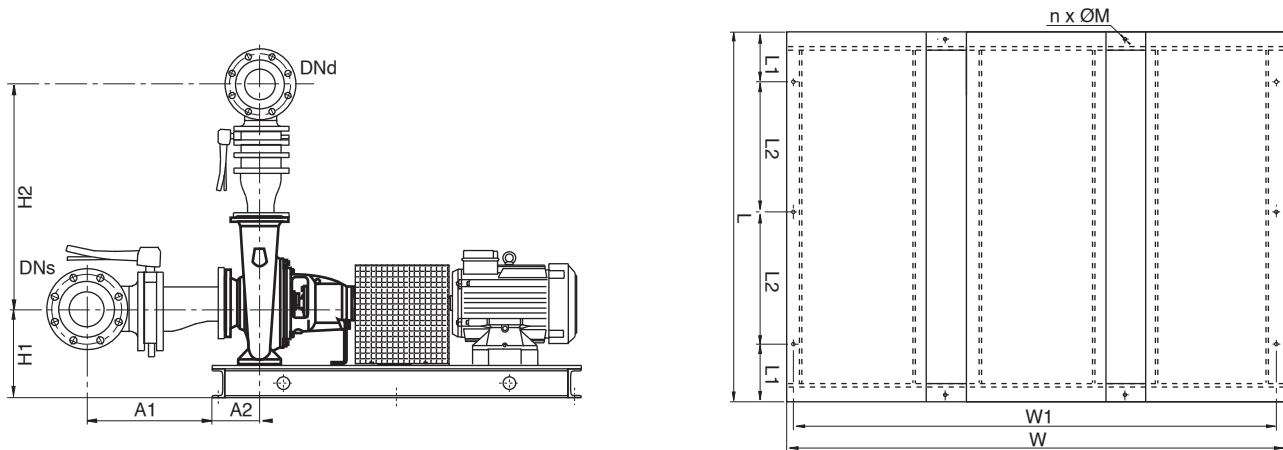
Dimensions and weights of pumping systems with two pumps



Pump	DNs	DNd	H1	H2	A1	A2	L	L1	L2	n x M	W	W1	kg
2-N4 100-400 - 22 kW	250	200	366	985	517	140	1,400	200	-	8 x 12	1,400	1,360	1,109
2-N4 100-400 - 30 kW	250	200	366	985	517	140	1,500	200	550	12 x 12	1,400	1,360	1,252
2-N4 100-400 - 37 kW	250	200	368	985	517	140	1,500	200	550	12 x 12	1,400	1,360	1,377
2-N4 100-400 - 45 kW	250	200	368	985	517	140	1,600	200	600	12 x 12	1,400	1,360	1,499
2-N4 100-400 - 55 kW	250	200	388	985	517	140	1,600	200	600	12 x 16	1,700	1,650	1,737
2-N4 125-250 - 11 kW	300	250	315	1,062	562	140	1,300	200	-	8 x 12	1,300	1,260	783
2-N4 125-250 - 15 kW	300	250	315	1,062	562	140	1,300	200	-	8 x 12	1,300	1,260	859
2-N4 125-250 - 18.5 kW	300	250	316	1,062	562	140	1,300	200	-	8 x 12	1,300	1,260	922
2-N4 125-250 - 22 kW	300	250	316	1,062	562	140	1,400	200	-	8 x 12	1,300	1,260	991
2-N4 125-315 - 15 kW	300	250	346	1,062	562	140	1,400	200	-	8 x 12	1,400	1,360	1,016
2-N4 125-315 - 18.5 kW	300	250	366	1,062	562	140	1,400	200	-	8 x 12	1,400	1,360	1,079
2-N4 125-315 - 22 kW	300	250	366	1,062	562	140	1,400	200	-	8 x 12	1,400	1,360	1,138
2-N4 125-315 - 30 kW	300	250	366	1,062	562	140	1,500	200	550	12 x 12	1,400	1,360	1,280
2-N4 125-315 - 37 kW	300	250	368	1,062	562	140	1,500	200	550	12 x 12	1,400	1,360	1,406
2-N4 125-400 - 37 kW	300	250	403	1,107	562	140	1,500	200	550	12 x 12	1,400	1,360	1,489
2-N4 125-400 - 45 kW	300	250	423	1,107	562	140	1,600	200	600	12 x 16	1,700	1,650	1,659
2-N4 125-400 - 55 kW	300	250	423	1,107	562	140	1,600	200	600	12 x 16	1,700	1,650	1,848
2-N4 125-400 - 75 kW	300	250	425	1,107	562	140	1,700	200	650	12 x 16	1,700	1,650	2,230
2-N4 150-250 - 15 kW	350	300	346	1,193	626	160	1,300	200	-	8 x 12	1,400	1,360	1,048
2-N4 150-250 - 18.5 kW	350	300	346	1,193	626	160	1,400	200	-	8 x 12	1,400	1,360	1,106
2-N4 150-250 - 22 kW	350	300	366	1,193	626	160	1,400	200	-	8 x 12	1,400	1,360	1,181
2-N4 150-250 - 30 kW	350	300	366	1,193	626	160	1,400	200	-	8 x 12	1,400	1,360	1,312
2-N4 150-315 - 22 kW	350	300	366	1,218	626	160	1,500	200	550	12 x 12	1,700	1,660	1,256
2-N4 150-315 - 30 kW	350	300	366	1,218	626	160	1,500	200	550	12 x 12	1,700	1,660	1,386
2-N4 150-315 - 37 kW	350	300	368	1,218	626	160	1,600	200	600	12 x 12	1,700	1,660	1,535
2-N4 150-315 - 45 kW	350	300	368	1,218	626	160	1,600	200	600	12 x 12	1,700	1,660	1,642
2-N4 150-400 - 45 kW	350	300	423	1,268	626	160	1,600	200	600	12 x 16	1,700	1,650	1,800
2-N4 150-400 - 55 kW	350	300	425	1,268	626	160	1,700	200	650	12 x 16	1,700	1,650	2,063
2-N4 150-400 - 75 kW	350	300	425	1,268	626	160	1,800	200	700	12 x 16	1,700	1,650	2,393
2-N4 150-400 - 90 kW	350	300	447	1,268	626	160	1,800	200	700	12 x 16	1,700	1,650	2,658
2-N4 150-500 - 110 kW	350	300	552	1,343	626	200	2,100	200	850	12 x 16	2,100	2,050	3,839
2-N4 150-500 - 132 kW	350	300	554	1,343	626	200	2,200	200	900	12 x 16	2,100	2,050	4,249
2-N4 150-500 - 160 kW	350	300	554	1,343	626	200	2,200	200	900	12 x 16	2,100	2,050	4,545
2-N4 200-315 - 30 kW	400	350	463	1,366	690	200	1,600	200	600	12 x 16	1,800	1,750	1,842
2-N4 200-315 - 37 kW	400	350	463	1,366	690	200	1,700	200	650	12 x 16	1,800	1,750	1,945
2-N4 200-315 - 45 kW	400	350	463	1,366	690	200	1,700	200	650	12 x 16	1,800	1,750	2,052
2-N4 200-315 - 55 kW	400	350	465	1,366	690	200	1,800	200	700	12 x 16	1,800	1,750	2,329
2-N4 200-315 - 75 kW	400	350	467	1,366	690	200	1,900	200	750	12 x 16	1,800	1,750	2,733
2-N4 200-400 - 75 kW	400	350	532	1,416	690	180	2,000	200	800	12 x 16	1,800	1,750	2,910
2-N4 200-400 - 90 kW	400	350	532	1,416	690	180	2,000	200	800	12 x 16	1,800	1,750	3,099
2-N4 200-400 - 110 kW	400	350	532	1,416	690	180	2,100	200	850	12 x 16	1,800	1,750	3,506
2-N4 200-400 - 132 kW	400	350	552	1,416	690	180	2,200	200	900	12 x 16	1,800	1,750	3,850
2-N4 200-400 - 160 kW	400	350	554	1,416	690	180	2,200	200	900	12 x 16	1,800	1,750	4,229
2-N4 200-500 - 132 kW	400	350	554	1,441	690	210	2,400	200	1,000	12 x 16	2,100	2,050	4,696
2-N4 200-500 - 160 kW	400	350	574	1,441	690	210	2,400	200	1,000	12 x 16	2,100	2,050	5,026
2-N4 200-500 - 185 kW	400	350	574	1,441	690	210	2,500	200	1,050	12 x 16	2,100	2,050	5,301
2-N4 200-500 - 200 kW	400	350	574	1,441	690	210	2,500	200	1,050	12 x 16	2,100	2,050	5,419
2-N4 200-500 - 250 kW	400	350	594	1,441	690	210	2,600	200	1,100	12 x 16	2,200	2,150	6,255
2-N4 200-500 - 315 kW	400	350	594	1,441	690	210	2,600	200	1,100	12 x 16	2,200	2,150	6,744

For dimensions not given in the table above, please consult our company.

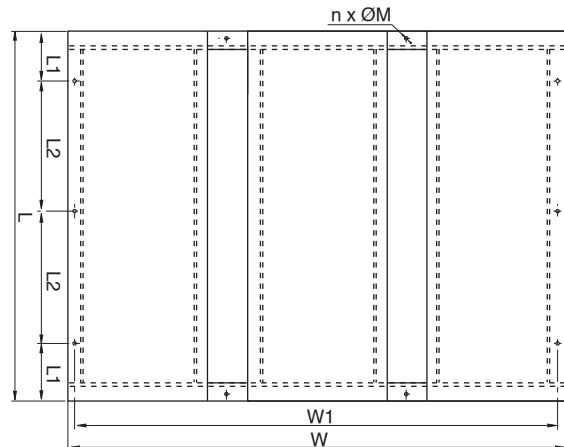
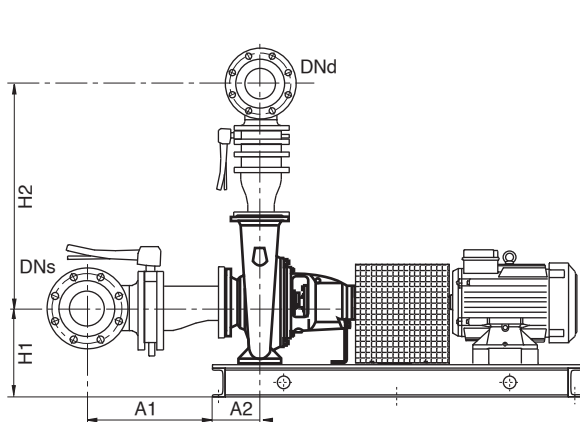
Dimensions and weights of pumping systems with three pumps



Pump	DNs	DNd	H1	H2	A1	A2	L	L1	L2	n x M	W	W1	kg
3-N 32-200 - 5.5 kW	125	80	225	650	528	80	900	200	-	12 x 12	1,600	1,560	399
3-N 32-200 - 7.5 kW	125	80	225	650	528	80	900	200	-	12 x 12	1,600	1,560	421
3-N 32-200 - 11 kW	125	80	225	650	528	80	1,100	200	-	12 x 12	1,600	1,560	662
3-N 32-250 - 7.5 kW	125	80	245	695	528	100	1,000	200	-	12 x 12	1,600	1,560	490
3-N 32-250 - 11 kW	125	80	245	695	528	100	1,100	200	-	12 x 12	1,600	1,560	718
3-N 32-250 - 15 kW	125	80	245	695	528	100	1,100	200	-	12 x 12	1,600	1,560	760
3-N 40-200 - 7.5 kW	150	100	225	687	558	100	1,000	200	-	12 x 12	1,600	1,560	466
3-N 40-200 - 11 kW	150	100	225	687	558	100	1,100	200	-	12 x 12	1,600	1,560	694
3-N 40-200 - 15 kW	150	100	225	687	558	100	1,100	200	-	12 x 12	1,600	1,560	735
3-N 40-250 - 11 kW	150	100	245	732	558	100	1,100	200	-	12 x 12	1,600	1,560	746
3-N 40-250 - 15 kW	150	100	245	732	558	100	1,100	200	-	12 x 12	1,600	1,560	788
3-N 40-250 - 18.5 kW	150	100	245	732	558	100	1,200	200	-	12 x 12	1,600	1,560	857
3-N 40-250 - 22 kW	150	100	245	732	558	100	1,200	200	-	12 x 12	2,100	2,060	1,039
3-N 40-250 - 30 kW	150	100	266	732	558	100	1,300	200	-	12 x 12	2,100	2,060	1,289
3-N 50-200 - 11 kW	150	125	225	768	558	100	1,100	200	-	12 x 12	1,600	1,560	711
3-N 50-200 - 15 kW	150	125	225	768	558	100	1,100	200	-	12 x 12	1,600	1,560	753
3-N 50-200 - 18.5 kW	150	125	225	768	558	100	1,200	200	-	12 x 12	1,600	1,560	822
3-N 50-200 - 22 kW	150	125	245	768	558	100	1,200	200	-	12 x 12	2,100	2,060	1,004
3-N 50-250 - 18.5 kW	150	125	245	793	558	100	1,200	200	-	12 x 12	1,600	1,560	879
3-N 50-250 - 22 kW	150	125	245	793	558	100	1,200	200	-	12 x 12	2,100	2,060	1,060
3-N 50-250 - 30 kW	150	125	266	793	558	100	1,300	200	-	12 x 12	2,100	2,060	1,311
3-N 50-250 - 37 kW	150	125	266	793	558	100	1,300	200	-	12 x 12	2,100	2,060	1,387
3-N 65-200 - 18.5 kW	200	150	245	828	711	100	1,200	200	-	12 x 12	1,600	1,560	890
3-N 65-200 - 22 kW	200	150	245	828	711	100	1,200	200	-	12 x 12	2,100	2,060	1,071
3-N 65-200 - 30 kW	200	150	266	828	711	100	1,300	200	-	12 x 12	2,100	2,060	1,322
3-N 65-200 - 37 kW	200	150	266	828	711	100	1,300	200	-	12 x 12	2,100	2,060	1,398
3-N 65-250 - 22 kW	200	150	265	853	711	100	1,300	200	-	12 x 12	2,100	2,060	1,195
3-N 65-250 - 30 kW	200	150	266	853	711	100	1,400	200	-	12 x 12	2,100	2,060	1,448
3-N 65-250 - 37 kW	200	150	286	853	711	100	1,400	200	-	12 x 12	2,100	2,060	1,549
3-N 65-250 - 45 kW	200	150	311	853	711	100	1,400	200	-	12 x 12	2,200	2,160	1,865
3-N 65-250 - 55 kW	200	150	338	853	711	100	1,500	200	550	18 x 12	2,200	2,160	2,237
3-N 80-160 - 11 kW	250	200	245	986	795	125	1,100	200	-	12 x 12	1,600	1,560	805
3-N 80-160 - 15 kW	250	200	245	986	795	125	1,100	200	-	12 x 12	1,600	1,560	847
3-N 80-160 - 18.5 kW	250	200	245	986	795	125	1,200	200	-	12 x 12	1,600	1,560	916
3-N 80-160 - 22 kW	250	200	245	986	795	125	1,200	200	-	12 x 12	2,100	2,060	1,098
3-N 80-200 - 22 kW	250	200	245	1,011	795	125	1,300	200	-	12 x 12	2,100	2,060	1,187
3-N 80-200 - 30 kW	250	200	266	1,011	795	125	1,400	200	-	12 x 12	2,100	2,060	1,440
3-N 80-200 - 37 kW	250	200	286	1,011	795	125	1,400	200	-	12 x 12	2,100	2,060	1,541
3-N 80-200 - 45 kW	250	200	311	1,011	795	125	1,500	200	550	18 x 12	2,200	2,160	1,877
3-N 80-250 - 37 kW	250	200	286	1,041	795	125	1,400	200	-	12 x 12	2,100	2,060	1,605
3-N 80-250 - 45 kW	250	200	311	1,041	795	125	1,500	200	550	18 x 12	2,200	2,160	1,941
3-N 80-250 - 55 kW	250	200	338	1,041	795	125	1,600	200	600	18 x 12	2,200	2,160	2,318
3-N 80-250 - 75 kW	250	200	390	1,041	795	125	1,600	200	600	18 x 16	2,700	2,650	3,048

For dimensions not given in the table above, please consult our company.

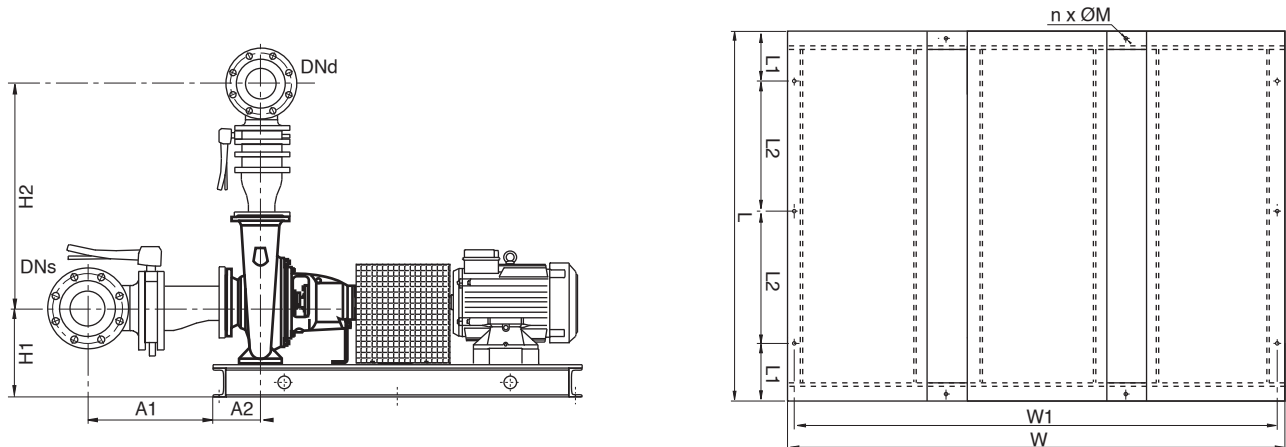
Dimensions and weights of pumping systems with three pumps



Pump	DNs	DNd	H1	H2	A1	A2	L	L1	L2	n x M	W	W1	kg
3-N 100-200 - 30 kW	300	250	286	1,135	867	125	1,400	200	-	12 x 12	2,100	2,060	1,614
3-N 100-200 - 37 kW	300	250	286	1,135	867	125	1,400	200	-	12 x 12	2,100	2,060	1,690
3-N 100-200 - 45 kW	300	250	313	1,135	867	125	1,500	200	550	18 x 12	2,200	2,160	2,094
3-N 100-200 - 55 kW	300	250	338	1,135	867	125	1,600	200	600	18 x 12	2,200	2,160	2,402
3-N 100-250 - 45 kW	300	250	313	1,135	867	140	1,500	200	550	18 x 12	2,200	2,160	2,109
3-N 100-250 - 55 kW	300	250	338	1,135	867	140	1,600	200	600	18 x 12	2,200	2,160	2,417
3-N 100-250 - 75 kW	300	250	390	1,135	867	140	1,600	200	600	18 x 16	2,700	2,650	3,147
3-N 100-250 - 90 kW	300	250	390	1,135	867	140	1,700	200	650	18 x 16	2,700	2,650	3,371
3-N 100-250 - 110 kW	300	250	447	1,135	867	140	1,800	200	700	18 x 16	2,800	2,750	4,356
3-N4 32-200 - 0.55 kW	125	80	225	650	528	80	800	150	-	12 x 12	1,600	1,560	290
3-N4 32-200 - 0.75 kW	125	80	225	650	528	80	800	150	-	12 x 12	1,600	1,560	294
3-N4 32-200 - 1.1 kW	125	80	225	650	528	80	800	150	-	12 x 12	1,600	1,560	305
3-N4 32-250 - 1.1 kW	125	80	245	695	528	100	800	150	-	12 x 12	1,600	1,560	362
3-N4 32-250 - 1.5 kW	125	80	245	695	528	100	800	150	-	12 x 12	1,600	1,560	370
3-N4 32-250 - 2.2 kW	125	80	245	695	528	100	900	200	-	12 x 12	1,600	1,560	396
3-N4 32-250 - 3 kW	125	80	245	695	528	100	900	200	-	12 x 12	1,600	1,560	409
3-N4 40-200 - 0.75 kW	150	100	225	687	558	100	800	150	-	12 x 12	1,600	1,560	326
3-N4 40-200 - 1.1 kW	150	100	225	687	558	100	800	150	-	12 x 12	1,600	1,560	337
3-N4 40-200 - 1.5 kW	150	100	225	687	558	100	800	150	-	12 x 12	1,600	1,560	345
3-N4 40-200 - 2.2 kW	150	100	225	687	558	100	900	200	-	12 x 12	1,600	1,560	371
3-N4 40-250 - 1.1 kW	150	100	245	732	558	100	800	150	-	12 x 12	1,600	1,560	390
3-N4 40-250 - 1.5 kW	150	100	245	732	558	100	800	150	-	12 x 12	1,600	1,560	398
3-N4 40-250 - 2.2 kW	150	100	245	732	558	100	900	200	-	12 x 12	1,600	1,560	424
3-N4 40-250 - 3 kW	150	100	245	732	558	100	900	200	-	12 x 12	1,600	1,560	437
3-N4 40-315 - 2.2 kW	150	100	265	757	558	100	900	200	-	12 x 12	2,100	2,060	445
3-N4 40-315 - 3 kW	150	100	265	757	558	100	900	200	-	12 x 12	2,100	2,060	458
3-N4 40-315 - 4 kW	150	100	265	757	558	100	900	200	-	12 x 12	2,100	2,060	488
3-N4 40-315 - 5.5 kW	150	100	265	757	558	100	1,000	200	-	12 x 12	2,100	2,060	541
3-N4 50-200 - 1.1 kW	150	125	225	768	558	100	800	150	-	12 x 12	1,600	1,560	355
3-N4 50-200 - 1.5 kW	150	125	225	768	558	100	800	150	-	12 x 12	1,600	1,560	363
3-N4 50-200 - 2.2 kW	150	125	225	768	558	100	900	200	-	12 x 12	1,600	1,560	389
3-N4 50-200 - 3 kW	150	125	225	768	558	100	900	200	-	12 x 12	1,600	1,560	402
3-N4 50-250 - 2.2 kW	150	125	245	793	558	100	900	200	-	12 x 12	1,600	1,560	446
3-N4 50-250 - 3 kW	150	125	245	793	558	100	900	200	-	12 x 12	1,600	1,560	459
3-N4 50-250 - 4 kW	150	125	245	793	558	100	900	200	-	12 x 12	1,600	1,560	489
3-N4 50-250 - 5.5 kW	150	125	245	793	558	100	1,000	200	-	12 x 12	1,600	1,560	540
3-N4 50-315 - 4 kW	200	125	290	848	711	125	1,000	200	-	12 x 12	2,100	2,060	679
3-N4 50-315 - 5.5 kW	200	125	290	848	711	125	1,100	200	-	12 x 12	2,100	2,060	732
3-N4 50-315 - 7.5 kW	200	125	290	848	711	125	1,100	200	-	12 x 12	2,100	2,060	762
3-N4 50-315 - 11 kW	200	125	290	848	711	125	1,200	200	-	12 x 12	2,100	2,060	1,007
3-N4 65-200 - 1.5 kW	200	150	245	828	711	100	800	150	-	12 x 12	1,600	1,560	431
3-N4 65-200 - 2.2 kW	200	150	245	828	711	100	900	200	-	12 x 12	1,600	1,560	457
3-N4 65-200 - 3 kW	200	150	245	828	711	100	900	200	-	12 x 12	1,600	1,560	470
3-N4 65-200 - 4 kW	200	150	245	828	711	100	900	200	-	12 x 12	1,600	1,560	500

For dimensions not given in the table above, please consult our company.

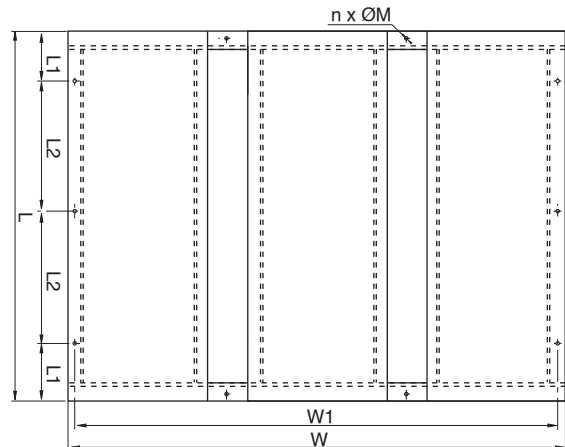
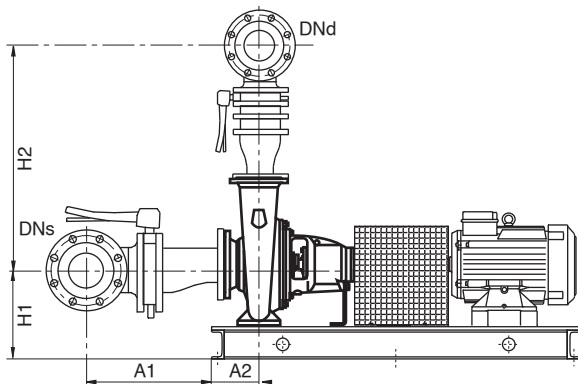
Dimensions and weights of pumping systems with three pumps



Pump	DNs	DNd	H1	H2	A1	A2	L	L1	L2	n x M	W	W1	kg
3-N4 65-250 - 3 kW	200	150	265	853	711	100	1,000	200	-	12 x 12	2,100	2,060	611
3-N4 65-250 - 4 kW	200	150	265	853	711	100	1,000	200	-	12 x 12	2,100	2,060	641
3-N4 65-250 - 5.5 kW	200	150	265	853	711	100	1,100	200	-	12 x 12	2,100	2,060	694
3-N4 65-250 - 7.5 kW	200	150	265	853	711	100	1,100	200	-	12 x 12	2,100	2,060	724
3-N4 65-315 - 5.5 kW	200	150	290	883	711	125	1,100	200	-	12 x 12	2,100	2,060	762
3-N4 65-315 - 7.5 kW	200	150	290	883	711	125	1,100	200	-	12 x 12	2,100	2,060	792
3-N4 65-315 - 11 kW	200	150	290	883	711	125	1,200	200	-	12 x 12	2,100	2,060	1,037
3-N4 65-315 - 15 kW	200	150	290	883	711	125	1,300	200	-	12 x 12	2,100	2,060	1,173
3-N4 65-400 - 11 kW	250	150	315	958	795	125	1,200	200	-	12 x 12	2,100	2,060	1,086
3-N4 65-400 - 15 kW	250	150	315	958	795	125	1,300	200	-	12 x 12	2,100	2,060	1,221
3-N4 65-400 - 18.5 kW	250	150	316	958	795	125	1,300	200	-	12 x 12	2,100	2,060	1,322
3-N4 65-400 - 22 kW	250	150	316	958	795	125	1,400	200	-	12 x 12	2,100	2,060	1,432
3-N4 65-400 - 30 kW	250	150	336	958	795	125	1,400	200	-	12 x 12	2,200	2,160	1,698
3-N4 80-160 - 1.5 kW	250	200	245	986	795	125	900	200	-	12 x 12	1,600	1,560	469
3-N4 80-160 - 2.2 kW	250	200	245	986	795	125	900	200	-	12 x 12	1,600	1,560	483
3-N4 80-160 - 3 kW	250	200	245	986	795	125	900	200	-	12 x 12	1,600	1,560	496
3-N4 80-200 - 3 kW	250	200	245	1,011	795	125	1,000	200	-	12 x 12	2,100	2,060	603
3-N4 80-200 - 4 kW	250	200	245	1,011	795	125	1,000	200	-	12 x 12	2,100	2,060	633
3-N4 80-200 - 5.5 kW	250	200	245	1,011	795	125	1,100	200	-	12 x 12	2,100	2,060	686
3-N4 80-250 - 4 kW	250	200	265	1,041	795	125	1,000	200	-	12 x 12	2,100	2,060	697
3-N4 80-250 - 5.5 kW	250	200	265	1,041	795	125	1,100	200	-	12 x 12	2,100	2,060	750
3-N4 80-250 - 7.5 kW	250	200	265	1,041	795	125	1,100	200	-	12 x 12	2,100	2,060	781
3-N4 80-250 - 11 kW	250	200	265	1,041	795	125	1,200	200	-	12 x 12	2,100	2,060	1,026
3-N4 80-315 - 7.5 kW	250	200	315	1,076	795	125	1,100	200	-	12 x 12	2,100	2,060	856
3-N4 80-315 - 11 kW	250	200	315	1,076	795	125	1,200	200	-	12 x 12	2,100	2,060	1,101
3-N4 80-315 - 15 kW	250	200	315	1,076	795	125	1,300	200	-	12 x 12	2,100	2,060	1,237
3-N4 80-315 - 18.5 kW	250	200	316	1,076	795	125	1,300	200	-	12 x 12	2,100	2,060	1,337
3-N4 80-400 - 22 kW	250	200	366	1,116	795	125	1,400	200	-	12 x 12	2,200	2,160	1,683
3-N4 80-400 - 30 kW	250	200	366	1,116	795	125	1,500	200	550	18 x 12	2,200	2,160	1,911
3-N4 80-400 - 37 kW	250	200	368	1,116	795	125	1,500	200	550	18 x 12	2,200	2,160	2,111
3-N4 100-200 - 3 kW	300	250	265	1,135	867	125	1,000	200	-	12 x 12	2,100	2,060	752
3-N4 100-200 - 4 kW	300	250	265	1,135	867	125	1,000	200	-	12 x 12	2,100	2,060	782
3-N4 100-200 - 5.5 kW	300	250	265	1,135	867	125	1,100	200	-	12 x 12	2,100	2,060	835
3-N4 100-200 - 7.5 kW	300	250	265	1,135	867	125	1,100	200	-	12 x 12	2,100	2,060	865
3-N4 100-250 - 5.5 kW	300	250	290	1,135	867	140	1,100	200	-	12 x 12	2,100	2,060	850
3-N4 100-250 - 7.5 kW	300	250	290	1,135	867	140	1,200	200	-	12 x 12	2,100	2,060	895
3-N4 100-250 - 11 kW	300	250	290	1,135	867	140	1,300	200	-	12 x 12	2,100	2,060	1,140
3-N4 100-250 - 15 kW	300	250	290	1,135	867	140	1,300	200	-	12 x 12	2,100	2,060	1,261
3-N4 100-315 - 11 kW	300	250	315	1,170	867	140	1,300	200	-	12 x 12	2,100	2,060	1,230
3-N4 100-315 - 15 kW	300	250	316	1,170	867	140	1,300	200	-	12 x 12	2,100	2,060	1,376
3-N4 100-315 - 18.5 kW	300	250	316	1,170	867	140	1,300	200	-	12 x 12	2,100	2,060	1,452
3-N4 100-315 - 22 kW	300	250	316	1,170	867	140	1,400	200	-	12 x 12	2,100	2,060	1,562
3-N4 100-315 - 30 kW	300	250	336	1,170	867	140	1,400	200	-	12 x 12	2,100	2,060	1,796

For dimensions not given in the table above, please consult our company.

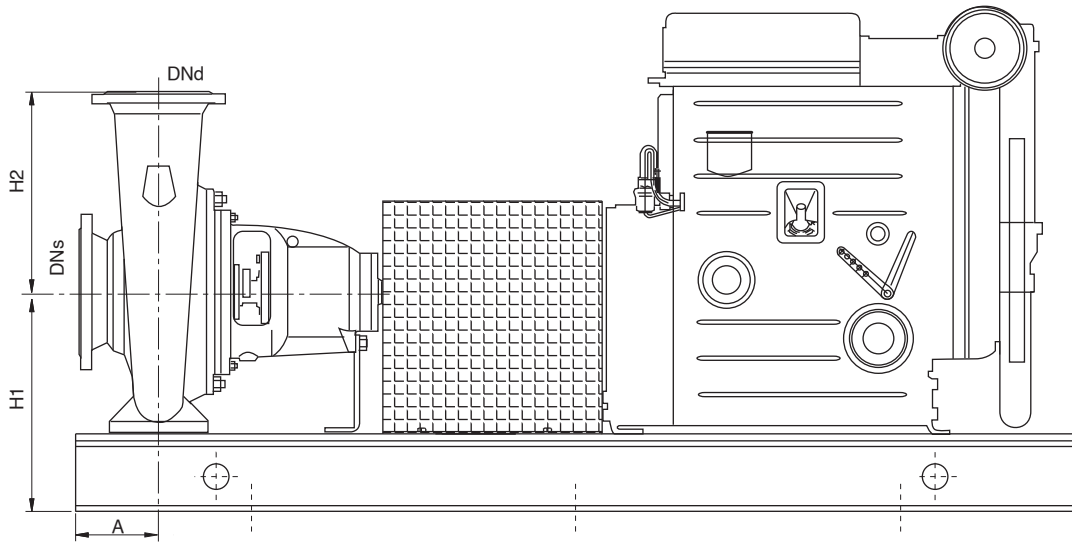
Dimensions and weights of pumping systems with three pumps



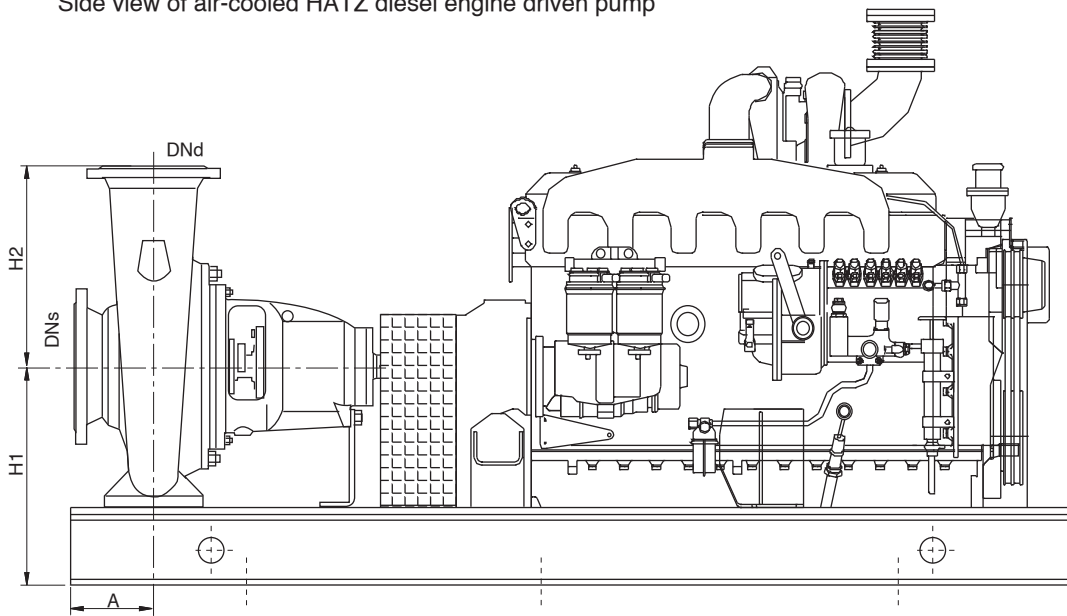
Pump	DNs	DNd	H1	H2	A1	A2	L	L1	L2	n x M	W	W1	kg
3-N4 100-400 - 22 kW	300	250	366	1,210	867	140	1,400	200	-	12 x 12	2,200	2,160	1,775
3-N4 100-400 - 30 kW	300	250	366	1,210	867	140	1,500	200	550	18 x 12	2,200	2,160	2,003
3-N4 100-400 - 37 kW	300	250	368	1,210	867	140	1,500	200	550	18 x 12	2,200	2,160	2,204
3-N4 100-400 - 45 kW	300	250	368	1,210	867	140	1,600	200	600	18 x 12	2,200	2,160	2,399
3-N4 100-400 - 55 kW	300	250	388	1,210	867	140	1,600	200	600	18 x 16	2,700	2,650	2,779
3-N4 125-250 - 11 kW	350	300	315	1,312	987	140	1,300	200	-	12 x 12	2,100	2,060	1,253
3-N4 125-250 - 15 kW	350	300	315	1,312	987	140	1,300	200	-	12 x 12	2,100	2,060	1,375
3-N4 125-250 - 18.5 kW	350	300	316	1,312	987	140	1,300	200	-	12 x 12	2,100	2,060	1,475
3-N4 125-250 - 22 kW	350	300	316	1,312	987	140	1,400	200	-	12 x 12	2,100	2,060	1,585
3-N4 125-315 - 15 kW	350	300	346	1,312	987	140	1,400	200	-	12 x 12	2,200	2,160	1,625
3-N4 125-315 - 18.5 kW	350	300	366	1,312	987	140	1,400	200	-	12 x 12	2,200	2,160	1,726
3-N4 125-315 - 22 kW	350	300	366	1,312	987	140	1,400	200	-	12 x 12	2,200	2,160	1,821
3-N4 125-315 - 30 kW	350	300	366	1,312	987	140	1,500	200	550	18 x 12	2,200	2,160	2,049
3-N4 125-315 - 37 kW	350	300	368	1,312	987	140	1,500	200	550	18 x 12	2,200	2,160	2,249
3-N4 125-400 - 37 kW	350	300	403	1,357	987	140	1,500	200	550	18 x 12	2,200	2,160	2,382
3-N4 125-400 - 45 kW	350	300	423	1,357	987	140	1,600	200	600	18 x 16	2,700	2,650	2,654
3-N4 125-400 - 55 kW	350	300	423	1,357	987	140	1,600	200	600	18 x 16	2,700	2,650	2,957
3-N4 125-400 - 75 kW	350	300	425	1,357	987	140	1,700	200	650	18 x 16	2,700	2,650	3,568
3-N4 150-250 - 15 kW	400	350	346	1,468	1,076	160	1,300	200	-	12 x 12	2,200	2,160	1,676
3-N4 150-250 - 18.5 kW	400	350	346	1,468	1,076	160	1,400	200	-	12 x 12	2,200	2,160	1,770
3-N4 150-250 - 22 kW	400	350	366	1,468	1,076	160	1,400	200	-	12 x 12	2,200	2,160	1,890
3-N4 150-250 - 30 kW	400	350	366	1,468	1,076	160	1,400	200	-	12 x 12	2,200	2,160	2,098
3-N4 150-315 - 22 kW	400	350	366	1,493	1,076	160	1,500	200	550	18 x 12	2,700	2,660	2,009
3-N4 150-315 - 30 kW	400	350	366	1,493	1,076	160	1,500	200	550	18 x 12	2,700	2,660	2,217
3-N4 150-315 - 37 kW	400	350	368	1,493	1,076	160	1,600	200	600	18 x 12	2,700	2,660	2,457
3-N4 150-315 - 45 kW	400	350	368	1,493	1,076	160	1,600	200	600	18 x 12	2,700	2,660	2,627
3-N4 150-400 - 45 kW	400	350	423	1,543	1,076	160	1,600	200	600	18 x 16	2,700	2,650	2,879
3-N4 150-400 - 55 kW	400	350	425	1,543	1,076	160	1,700	200	650	18 x 16	2,700	2,650	3,302
3-N4 150-400 - 75 kW	400	350	425	1,543	1,076	160	1,800	200	700	18 x 16	2,700	2,650	3,828
3-N4 150-400 - 90 kW	400	350	447	1,543	1,076	160	1,800	200	700	18 x 16	2,700	2,650	4,254
3-N4 150-500 - 110 kW	400	350	552	1,618	1,076	200	2,100	200	850	18 x 16	3,300	3,250	6,142
3-N4 150-500 - 132 kW	400	350	554	1,618	1,076	200	2,200	200	900	18 x 16	3,300	3,250	6,799
3-N4 150-500 - 160 kW	400	350	554	1,618	1,076	200	2,200	200	900	18 x 16	3,300	3,250	7,272

For dimensions not given in the table above, please consult our company.

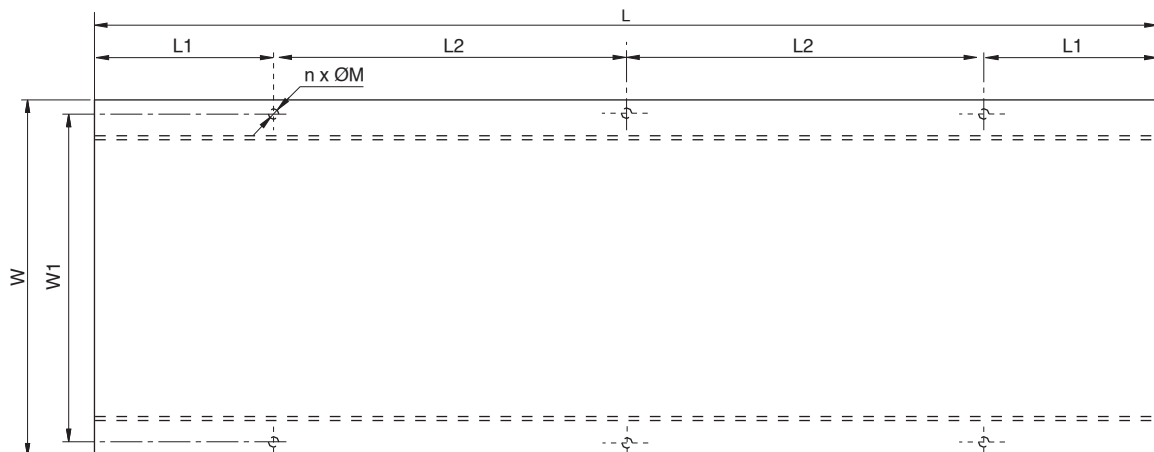
Dimensions and weights of diesel engine driven pumps



Side view of air-cooled HATZ diesel engine driven pump



Side view of water-cooled IVECO diesel engine driven pump



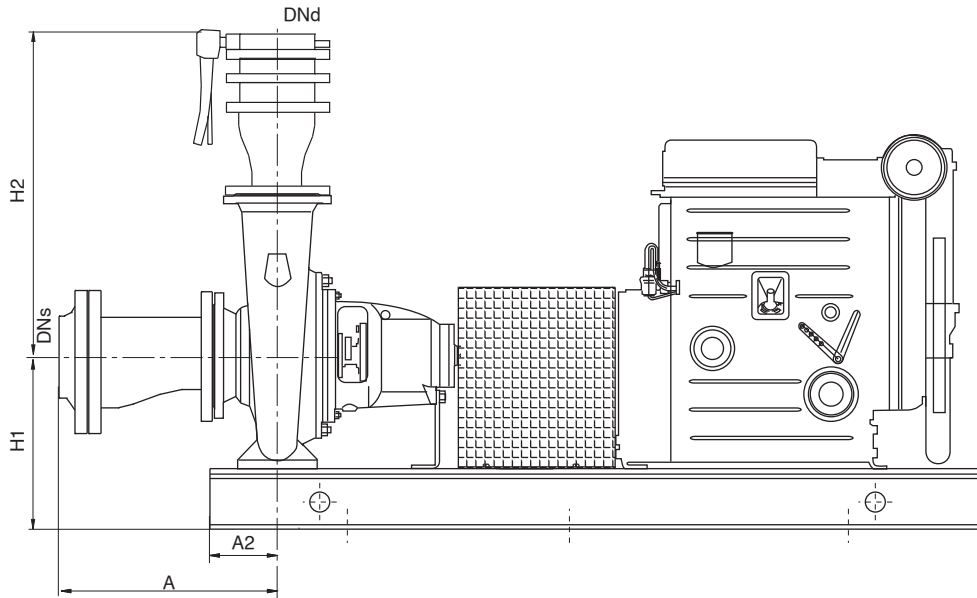
Top view of base plate

Dimensions and weights of diesel engine driven pumps

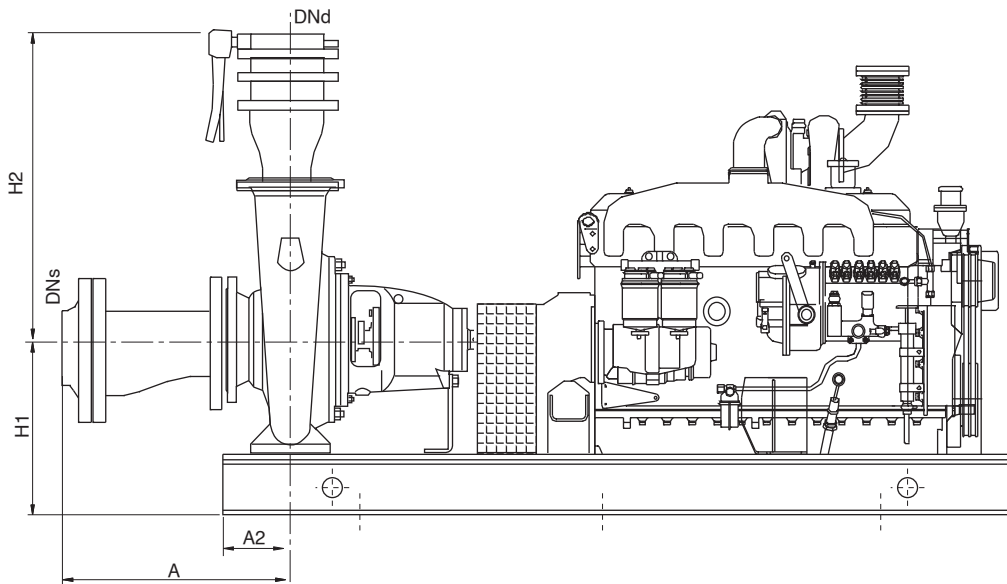
Pump type	DNs	DNd	L	W	H1	H2	A	L1	L2	n x M	W1	kg
N 32/200 - HATZ 2G40	50	32	1200	400	313	180	80	100	-	4 X 12	350	171
N 32/250 - HATZ 2G40	50	32	1200	400	313	225	100	100	-	4 X 12	350	186
N 32/250 - HATZ 2M41	50	32	1300	550	348	225	100	100	-	4 X 16	500	330
N 40/200 - HATZ 2G40	65	40	1200	400	313	180	100	100	-	4 X 12	350	174
N 40/200 - HATZ 2M41	65	40	1300	550	348	180	100	100	-	4 X 16	500	318
N 40/250 - HATZ 2G40	65	40	1200	400	313	225	100	100	-	4 X 12	350	188
N 40/250 - HATZ 2M41	65	40	1300	550	348	225	100	100	-	4 X 16	500	332
N 40/250 - HATZ 3M41	65	40	1400	550	348	225	100	100	-	4 X 16	500	369
N 40/315 - HATZ 2G40	65	40	1200	400	328	225	100	150	-	4 X 12	350	189
N 40/315 - HATZ 2M41	65	40	1300	550	328	225	100	150	-	4 X 16	500	333
N 40/315 - HATZ 3M41	65	40	1500	550	328	225	100	150	-	4 X 16	500	374
N 50/200 - HATZ 2G40	65	50	1200	400	313	200	100	100	-	4 X 12	350	176
N 50/200 - HATZ 2M41	65	50	1300	550	348	200	100	100	-	4 X 16	500	320
N 50/250 - HATZ 2M41	65	50	1300	550	348	225	100	100	-	4 X 16	500	335
N 50/250 - HATZ 3M41	65	50	1400	550	348	225	100	100	-	4 X 16	500	372
N 50/315 - HATZ 2M41	80	50	1500	550	353	280	125	150	-	4 X 16	500	375
N 50/315 - HATZ 3M41	80	50	1600	550	353	280	125	150	-	4 X 16	500	412
N 50/315 - HATZ 4M41	80	50	1700	550	353	280	125	150	700	6 X 16	500	452
N 65/200 - HATZ 2M41	80	65	1300	550	348	225	100	100	-	4 X 16	500	327
N 65/200 - HATZ 3M41	80	65	1400	550	348	225	100	100	-	4 X 16	500	364
N 65/250 - HATZ 2M41	80	65	1400	550	348	250	100	100	-	4 X 16	500	361
N 65/250 - HATZ 3M41	80	65	1600	550	348	250	100	150	650	6 X 14	500	402
N 65/250 - HATZ 4M41	80	65	1700	550	348	250	100	150	700	6 X 14	500	442
N 65/250 - IVECO 8041i40	80	65	1900	660	328	250	100	150	800	6 X 16	610	512
N 65/315 - HATZ 3M41	100	65	1600	550	328	280	125	150	650	6 X 16	500	416
N 65/315 - HATZ 4M41	100	65	1700	550	328	280	125	150	700	6 X 16	500	456
N 65/315 - IVECO 8041i40	100	65	2000	660	348	280	125	150	850	6 X 16	610	526
N 65/315 - IVECO 8061i40	100	65	2200	660	348	280	125	150	950	6 X 16	610	603
N 80/160 - HATZ 2G40	100	80	1200	400	313	225	125	100	-	4 X 12	350	179
N 80/160 - HATZ 2M41	100	80	1300	550	348	225	125	100	-	4 X 16	500	323
N 80/200 - HATZ 2M41	100	80	1400	550	348	250	125	100	-	4 X 16	500	348
N 80/200 - HATZ 3M41	100	80	1600	550	348	250	125	150	650	6 X 14	500	389
N 80/200 - HATZ 4M41	100	80	1700	550	348	250	125	150	700	6 X 14	500	429
N 80/250 - HATZ 3M41	100	80	1600	550	348	280	125	150	650	6 X 14	500	406
N 80/250 - HATZ 4M41	100	80	1700	550	348	280	125	150	700	6 X 14	500	446
N 80/250 - IVECO 8041i40	100	80	2000	660	328	280	125	150	850	6 X 16	610	521
N 80/250 - IVECO 8061i40	100	80	2200	660	348	280	125	150	950	6 X 18	610	608
N 80/315 - HATZ 3M41	100	80	1600	550	378	315	125	150	-	4 X 16	500	426
N 80/315 - HATZ 4M41	100	80	1700	550	378	315	125	150	700	6 X 16	500	466
N 80/315 - IVECO 8041i40	100	80	1800	660	378	315	125	150	750	6 X 16	610	537
N 80/315 - IVECO 8061i40	100	80	2000	660	398	315	125	150	850	6 X 18	610	621
N 80/315 - IVECO 8061Si40	100	80	2000	660	420	315	125	150	850	6 X 18	600	670
N 100/200 - HATZ 3M41	125	100	1600	550	348	280	125	150	650	6 X 14	500	412
N 100/200 - HATZ 4M41	125	100	1700	550	348	280	125	150	700	6 X 16	500	452
N 100/200 - IVECO 8041i40	125	100	2000	660	328	280	125	150	850	6 X 16	610	527
N 100/250 - HATZ 4M41	125	100	1700	550	353	280	140	150	700	6 X 16	500	456
N 100/250 - IVECO 8041i40	125	100	2000	660	353	280	140	150	850	6 X 16	610	531
N 100/250 - IVECO 8061i40	125	100	2200	660	373	280	140	150	950	6 X 18	610	618
N 100/250 - IVECO 8061Si40	125	100	2200	660	393	280	140	150	950	6 X 18	600	663
N 100/315 - HATZ 3M41	125	100	1600	550	378	355	140	150	-	4 X 16	500	440
N 100/315 - HATZ 4M41	125	100	1800	550	378	355	140	150	750	6 X 16	500	484
N 100/315 - IVECO 8041i40	125	100	1800	660	378	355	140	150	750	6 X 16	610	551
N 100/315 - IVECO 8061i40	125	100	2000	660	398	355	140	150	850	6 X 18	610	635
N 100/315 - IVECO 8061Si40	125	100	2000	660	420	355	140	150	850	6 X 18	600	684
N 100/315 - IVECO 8061SRi40	125	100	2200	660	420	355	140	150	950	6 X 18	600	706
N 150/400 - IVECO 8061Si40	200	150	2200	660	485	450	160	150	950	6 X 18	600	790
N 150/400 - IVECO 8061SRi40	200	150	2400	660	485	450	160	150	1050	6 X 18	600	806
N 200/315 - IVECO 8061i40	250	200	2400	660	505	450	200	150	1050	6 X 18	610	815
N 200/315 - IVECO 8061Si40	250	200	2400	660	525	450	200	150	1050	6 X 18	600	861
N 200/315 - IVECO 8061SRi40	250	200	2600	660	525	450	200	150	1150	6 X 18	600	877

For dimensions not given in the table above, please consult our company.

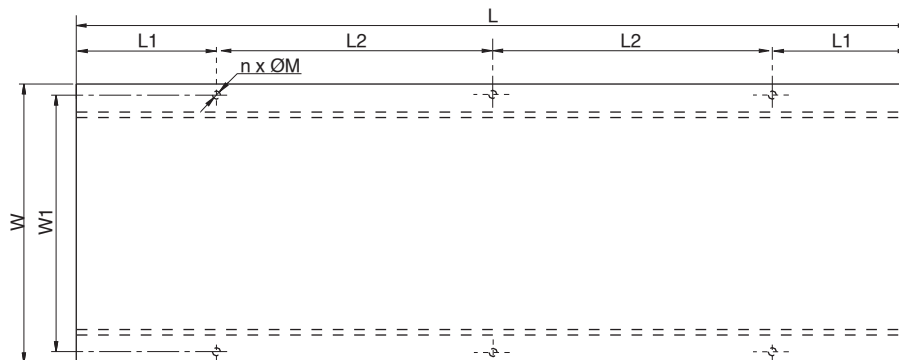
Dimensions and weights of diesel engine driven pumping systems



Side view of air-cooled HATZ diesel engine driven pumping system



Side view of water-cooled IVECO diesel engine driven pumping system



Top view of base plate

Dimensions and weights of diesel engine driven pumping systems

Pump type	DNs	DNd	L	W	H1	H2	A	A2	L1	L2	n x M	W1	kg
1-N 32/200 - HATZ 2G40	65	40	1200	400	313	590	370	80	100	-	4 X 12	350	171
1-N 32/250 - HATZ 2G40	65	40	1200	400	313	635	370	100	100	-	4 X 12	350	186
1-N 32/250 - HATZ 2M41	65	40	1300	550	348	635	370	100	100	-	4 X 16	500	330
1-N 40/200 - HATZ 2G40	80	50	1200	400	313	630	395	100	100	-	4 X 12	350	174
1-N 40/200 - HATZ 2M41	80	50	1300	550	348	630	395	100	100	-	4 X 16	500	318
1-N 40/250 - HATZ 2G40	80	50	1200	400	313	675	395	100	100	-	4 X 12	350	188
1-N 40/250 - HATZ 2M41	80	50	1300	550	348	675	395	100	100	-	4 X 16	500	332
1-N 40/250 - HATZ 3M41	80	50	1400	550	348	675	395	100	100	-	4 X 16	500	369
1-N 40/315 - HATZ 2G40	80	50	1200	400	328	545	395	100	150	-	4 X 12	350	189
1-N 40/315 - HATZ 2M41	80	50	1300	550	328	545	395	100	150	-	4 X 16	500	333
1-N 40/315 - HATZ 3M41	80	50	1500	550	328	545	395	100	150	-	4 X 16	500	374
1-N 50/200 - HATZ 2G40	80	65	1200	400	313	685	395	100	100	-	4 X 12	350	176
1-N 50/200 - HATZ 2M41	80	65	1300	550	348	685	395	100	100	-	4 X 16	500	320
1-N 50/250 - HATZ 2M41	80	65	1300	550	348	710	395	100	100	-	4 X 16	500	335
1-N 50/250 - HATZ 3M41	80	65	1400	550	348	710	395	100	100	-	4 X 16	500	372
1-N 50/315 - HATZ 2M41	80	65	1500	550	353	625	395	125	150	-	4 X 16	500	400
1-N 50/315 - HATZ 3M41	80	65	1600	550	353	625	395	125	150	-	4 X 16	500	437
1-N 50/315 - HATZ 4M41	80	65	1700	550	353	625	395	125	150	700	6 X 16	500	477
1-N 65/200 - HATZ 2M41	100	80	1300	550	348	725	415	100	100	-	4 X 16	500	327
1-N 65/200 - HATZ 3M41	100	80	1400	550	348	725	415	100	100	-	4 X 16	500	364
1-N 65/250 - HATZ 2M41	100	80	1400	550	348	750	415	100	100	-	4 X 16	500	361
1-N 65/250 - HATZ 3M41	100	80	1600	550	348	750	415	100	150	650	6 X 14	500	402
1-N 65/250 - HATZ 4M41	100	80	1700	550	348	750	415	100	150	700	6 X 14	500	442
1-N 65/250 - IVECO 8041i40	100	80	1900	660	328	750	415	100	150	800	6 X 16	610	512
1-N 65/315 - HATZ 2M41	125	80	1600	550	328	750	465	125	150	650	6 X 16	500	438
1-N 65/315 - HATZ 4M41	125	80	1700	550	328	750	465	125	150	700	6 X 16	500	478
1-N 65/315 - IVECO 8041i40	125	80	2000	660	348	750	465	125	150	850	6 X 16	610	548
1-N 65/315 - IVECO 8061i40	125	80	2200	660	348	750	465	125	150	950	6 X 16	610	625
1-N 80/160 - HATZ 2G40	125	100	1200	400	313	775	465	125	100	-	4 X 12	350	179
1-N 80/160 - HATZ 2M41	125	100	1300	550	348	775	465	125	100	-	4 X 16	500	323
1-N 80/200 - HATZ 2M41	125	100	1400	550	348	800	465	125	100	-	4 X 16	500	348
1-N 80/200 - HATZ 3M41	125	100	1600	550	348	800	465	125	150	650	6 X 14	500	389
1-N 80/200 - HATZ 4M41	125	100	1700	550	348	800	465	125	150	700	6 X 14	500	429
1-N 80/250 - HATZ 3M41	125	100	1600	550	348	830	465	125	150	650	6 X 14	500	406
1-N 80/250 - HATZ 4M41	125	100	1700	550	348	830	465	125	150	700	6 X 14	500	446
1-N 80/250 - IVECO 8041i40	125	100	2000	660	328	830	465	125	150	850	6 X 16	610	521
1-N 80/250 - IVECO 8061i40	125	100	2200	660	348	830	465	125	150	950	6 X 18	610	608
1-N 80/315 - HATZ 3M41	125	100	1600	550	378	705	465	125	150	-	4 X 16	500	560
1-N 80/315 - HATZ 4M41	125	100	1700	550	378	705	465	125	150	700	6 X 16	500	560
1-N 80/315 - IVECO 8041i40	125	100	1800	660	378	705	465	125	150	750	6 X 16	610	670
1-N 80/315 - IVECO 8061i40	125	100	2000	660	398	705	465	125	150	850	6 X 18	610	670
1-N 80/315 - IVECO 8061Si40	125	100	2000	660	420	705	465	125	150	850	6 X 18	600	660
1-N 100/200 - HATZ 3M41	150	125	1600	550	348	950	495	125	150	650	6 X 14	500	412
1-N 100/200 - HATZ 4M41	150	125	1700	550	348	950	495	125	150	700	6 X 16	500	452
1-N 100/200 - IVECO 8041i40	150	125	2000	660	328	950	495	125	150	850	6 X 16	610	527
1-N 100/250 - HATZ 4M41	150	125	1700	550	353	950	495	140	150	700	6 X 16	500	456
1-N 100/250 - IVECO 8041i40	150	125	2000	660	353	950	495	140	150	850	6 X 16	610	531
1-N 100/250 - IVECO 8061i40	150	125	2200	660	373	950	495	140	150	950	6 X 18	610	618
1-N 100/250 - IVECO 8061Si40	150	125	2200	660	393	950	495	140	150	950	6 X 18	600	663
1-N 100/315 - HATZ 3M41	150	125	1600	550	378	855	495	140	150	-	4 X 16	500	475
1-N 100/315 - HATZ 4M41	150	125	1800	550	378	855	495	140	150	750	6 X 16	500	519
1-N 100/315 - IVECO 8041i40	150	125	1800	660	378	855	495	140	150	750	6 X 16	610	586
1-N 100/315 - IVECO 8061i40	150	125	2000	660	398	855	495	140	150	850	6 X 18	610	670
1-N 100/315 - IVECO 8061Si40	150	125	2000	660	420	855	495	140	150	850	6 X 18	600	719
1-N 100/315 - IVECO 8061SRi40	150	125	2200	660	420	855	495	140	150	950	6 X 18	600	741
1-N 150/400 - IVECO 8061Si40	250	200	2200	660	485	1280	610	160	150	950	6 X 18	600	790
1-N 150/400 - IVECO 8061SRi40	250	200	2400	660	485	1280	610	160	150	1050	6 X 18	600	806

For dimensions not given in the table above, please consult our company.